

Data sheet

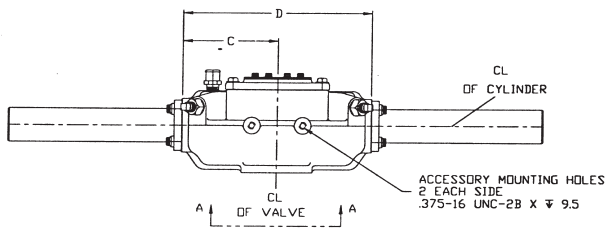
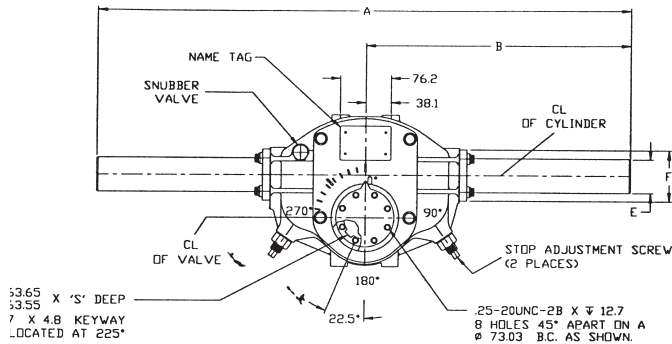
Sheet No.: HHM 3.01 RevB

Date: August 2010

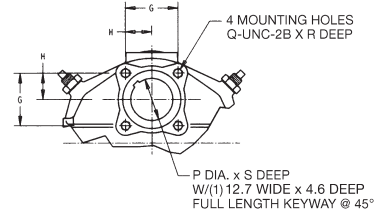
HD-Series

Dimensions – (Hydraulic) mm.

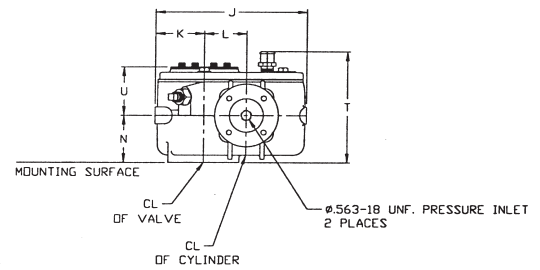
Double-Acting Actuators



NOTE: ACTUATOR SHOWN ROTATED TO THE FULL CLOCKWISE POSITION.



VIEW A-A
MOUNTING DIMENSIONS



Actuator Model	A	B	C	D	E	F	G	H	J	K	L	M	N	P	Q	R	S	T	U
H251.5	800.1	400.1	141.2	282.4	50.8	95.3	80.8	40.4	226.3	72.9	63.5	N/A	71.4	N/A	1/2-13	19.1	142.7	180.8	76.0

Note: Not Certified dimensional drawings. Such drawings available on request.
Contact factory with correct model designation and serial number.
All dimensions are expressed in millimeters.

BETTIS™

www.emerson.com/bettis

Copyright © Emerson. The information in this document is subject to change without notice.

Updated data sheets can be obtained from our website www.emerson.com/bettis or from your nearest Actuation Technologies Center:

America's: +1 281 477 4100 (fax 477 2809) Europe: +36 22 53 09 50 (fax +36 22 54 37 00) Asia/Pacific: +65 650 14 600 (fax +65 626 80 028)

Data sheet

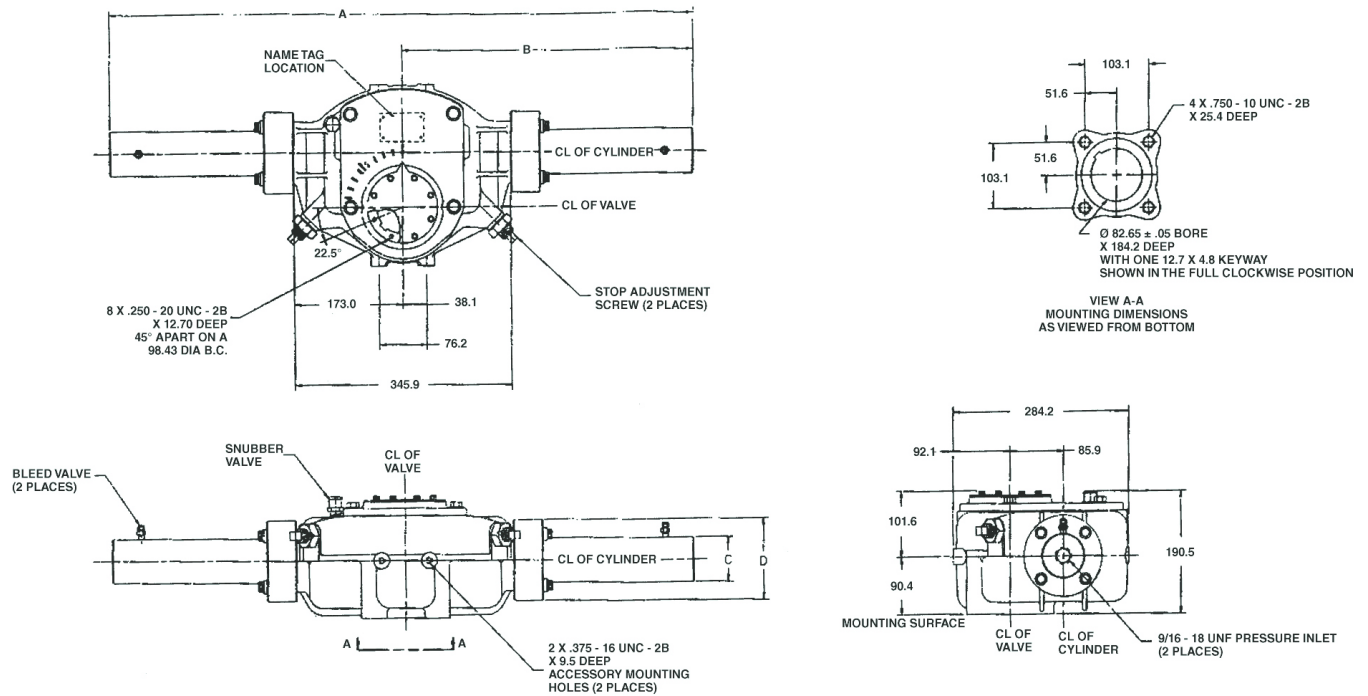
Sheet No.: HHM 3.02 RevB

Date: August 2010

HD-Series

Dimensions – (Hydraulic) mm.

Double-Acting Actuators



Actuator Model	A	B	C	D
H352.1	936.8	468.4	69.85	127.0

Note: Not Certified dimensional drawings. Such drawings available on request.
 Contact factory with correct model designation and serial number.
 All dimensions are expressed in millimeters.

BETTIS™

www.emerson.com/bettis

Copyright © Emerson. The information in this document is subject to change without notice.

Updated data sheets can be obtained from our website www.emerson.com/bettis or from your nearest Actuation Technologies Center:

America's: +1 281 477 4100 (fax 477 2809) Europe: +36 22 53 09 50 (fax +36 22 54 37 00) Asia/Pacific: +65 650 14 600 (fax +65 626 80 028)



EMERSON™

Data sheet

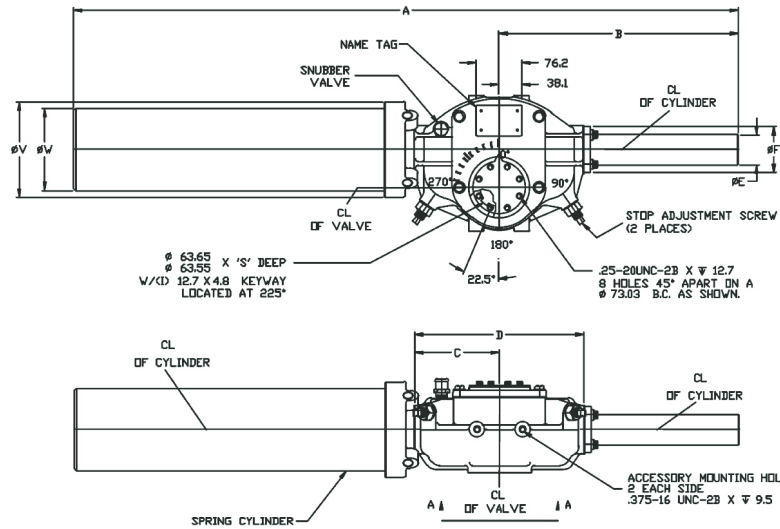
Sheet No.: HHM 3.03 RevB

Date: August 2010

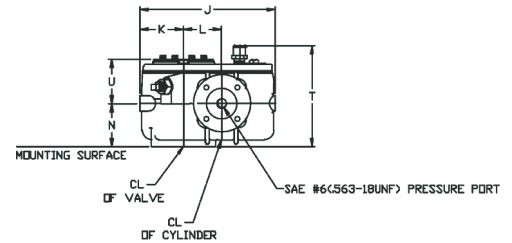
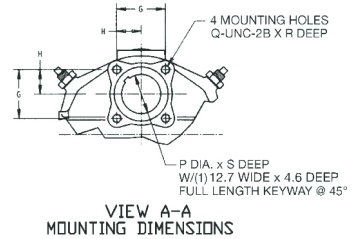
HD-Series

Dimensions – (Hydraulic) mm.

Spring-Return Actuators



NOTE: ACTUATOR SHOWN ROTATED TO THE FULL CLOCKWISE POSITION.



Actuator Model	A	B	C	D	E	F	G	H	J	K	L	M	N	Q	R	S	T	U	V	W
HD251.5-SR 560	1109.7																			
HD251.5-SR 5150																				
HD251-SR 5100	1256.5																			
HD251-SR 5125		400.1	141.2	282.4	50.8	95.3	80.8	40.4	226.3	72.9	63.5	N.A.	71.4	1/2-13	19.1	142.7	180.8	76.0	150.9	136.4
HD251-SR 580																				
HD251-SR 540	1109.7																			
HD251-SR 560																				

Note: Not Certified dimensional drawings. Such drawings available on request.
 Contact factory with correct model designation and serial number.
 All dimensions are expressed in millimeters.

BETTIS™

www.emerson.com/bettis
 Copyright © Emerson. The information in this document is subject to change without notice.
 Updated data sheets can be obtained from our website www.emerson.com/bettis or from your nearest Actuation Technologies Center:
 America's: +1 281 477 4100 (fax 477 2809) Europe: +36 22 53 09 50 (fax +36 22 54 37 00) Asia/Pacific: +65 650 14 600 (fax +65 626 80 028)

Data sheet

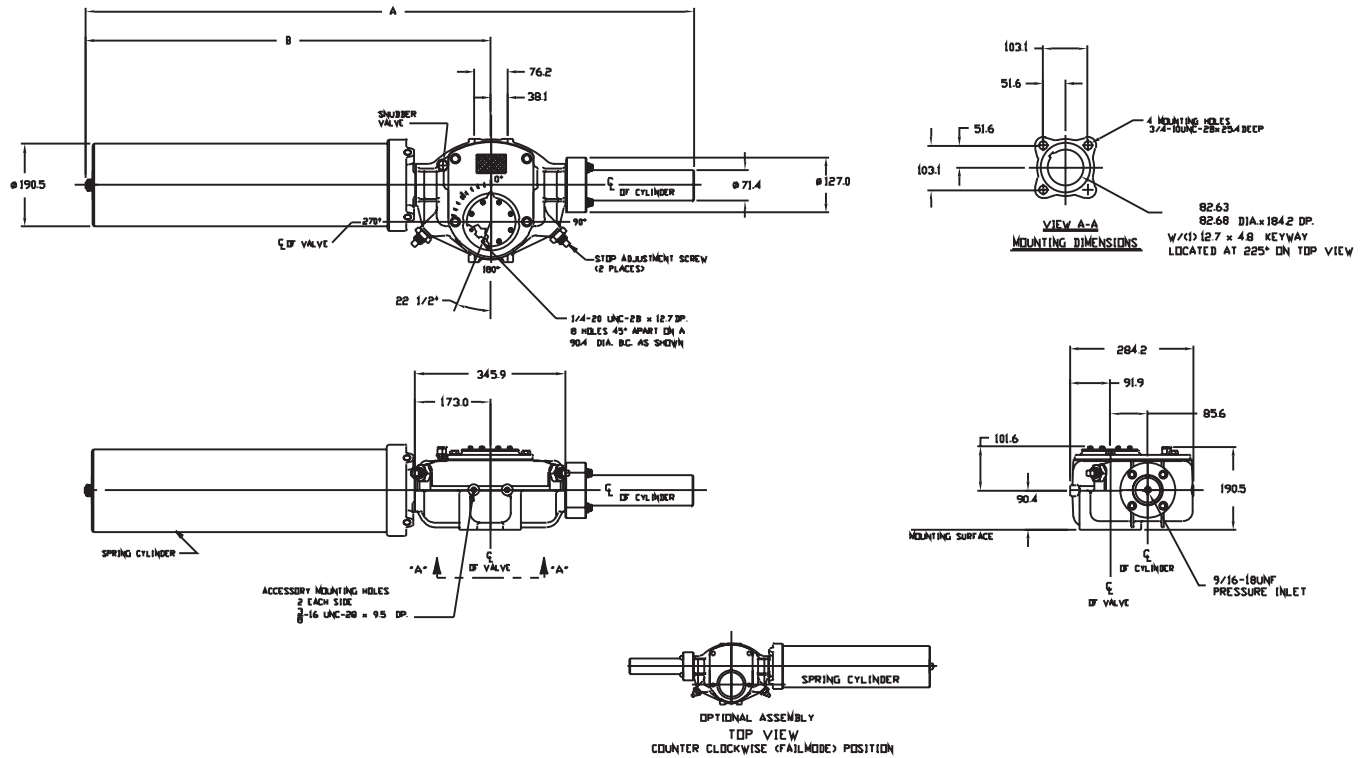
Sheet No.: HHM 3.04 RevB

Date: August 2010

HD-Series

Dimensions – (Hydraulic) mm.

Spring-Return Actuators



Actuator Model	A	B
H352.1-SR 740/760	1520.7	962.0
H352.1-SR 780/7100	1520.7	962.0
H352.1-SR 7125/7150	1657.4	1098.6

Note: Not Certified dimensional drawings. Such drawings available on request.
 Contact factory with correct model designation and serial number.
 All dimensions are expressed in millimeters.

BETTIS™

www.emerson.com/bettis

Copyright © Emerson. The information in this document is subject to change without notice.

Updated data sheets can be obtained from our website www.emerson.com/bettis or from your nearest Actuation Technologies Center:

America's: +1 281 477 4100 (fax 477 2809) Europe: +36 22 53 09 50 (fax +36 22 54 37 00) Asia/Pacific: +65 650 14 600 (fax +65 626 80 028)


EMERSON™