

Rosemount R305 & R306 Enhanced Manifolds

Simplify operations, increase safety, and enhance reliability



WHAT IF...

...you could increase the equipment life of your pressure transmitter manifolds?

...you could more safely and easily operate manifolds in your facility?

CHALLENGE

Manifolds serve as a critical mounting mechanism required in many installations and are vital to efficient plant operation because of their ability to shut-off or equalize pressure at the transmitter. However, traditional manifolds can be difficult to operate, present potential safety risks, or degrade over time, leading to sub-optimal performance.

OUR SOLUTION

The Rosemount™ R305 is designed for both differential or gauge pressure applications and assembles directly to any Rosemount Coplanar™ transmitter for a complete solution. The Rosemount R306, designed for in-line pressure transmitters, is suited for gauge or absolute pressure applications.

HOW IT WORKS

- Exclusive Pressure-Lock™ Valve technology offers simplified operation, increased safety, and enhanced reliability.
- Two-piece stem with non-rotating tip provides minimal wear and reduced potential leak paths.
- Enhanced valves offer increased ease of use and improved operator ergonomics through smoother operation.
- Stem and bonnet threads are fully isolated from the process fluid to minimize corrosion.
- When selected with a transmitter, Rosemount R305 and R306 components are fully assembled, high-pressure leak tested at the factory, and arrive ready to install.



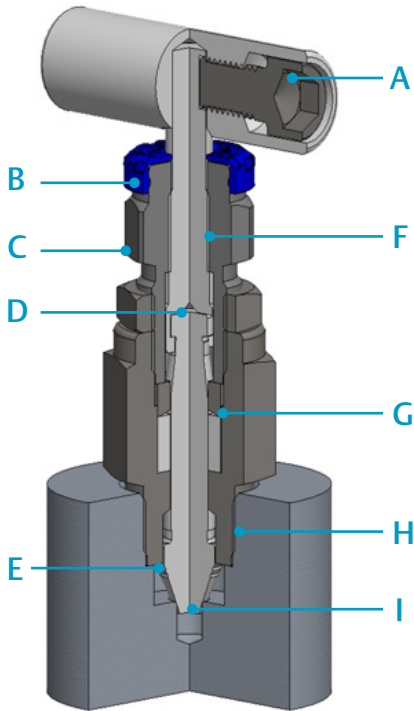
Key Innovations

- Larger internal passages resist plugging and enhance reliability
- Backseating prevents blowouts for increased user safety
- Two-, three-, and five-valve configurations available

For more information visit
[Emerson.com/RosemountR305](https://emerson.com/RosemountR305)
or contact your local Emerson Sales Representative



Designed for enhanced operations, safety, and reliability



- A. **Removable handle with recessed handle set screw** adds security, reduces unwanted tampering, and improves handle clearance
- B. **Color-coded dust caps** reduce valve confusion
- C. **Packing nut** allows for smooth adjustment of stem packing
- D. **Two-piece stem design** with non-rotating tip provides smooth, ergonomic operation and reduces potential leak paths
- E. **Safety back seating** provides integral blowout protection
- F. **Isolated stem threads** increase equipment life and operator safety
- G. **Modular packing** located below stem threads isolate thread from process fluid, preventing corrosion
- H. **Isolated bonnet threads** improve corrosion resistance and equipment life with metal-to-metal, bonnet-to-body seal
- I. **One-piece needle tip stem** ensures seal integrity over a wide range of pressures and temperatures

ASSOCIATED PRODUCTS

Rosemount 3051S Coplanar Pressure Transmitter



Rosemount 3051S In-Line Pressure Transmitter



Rosemount 3051S Wireless Pressure Transmitter



Rosemount Global Headquarters

Emerson Automation Solutions
6021 Innovation Blvd.
Shakopee, MN 55379
USA
+1 800 999 9307 or +1 952 906 8888
+1 952 949 7001
RFQ.RMD-RCC@Emerson.com

Standard Terms and Conditions of Sale can be found at www.Emerson.com/en-us/pages/Terms-of-Use.aspx
The Emerson logo is a trademark and service mark of Emerson Electric Co.
Rosemount and Rosemount logotype are trademarks of Emerson Electric Co.
All other marks are the property of their respective owners.
©2019 Emerson. All rights reserved.

00807-0100-4733 Rev AA

ROSEMOUNT™

Consider it Solved.

Emerson Automation Solutions supports you with innovative technologies and expertise to address your toughest challenges. For more information, visit Emerson.com/RosemountR305

