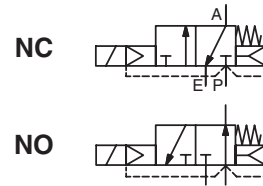




SOLENOID VALVES

pilot operated, high flow
floating diaphragms
3/8 to 1



3/2
Series
316

FEATURES

- Brass bodied high flow valves with two floating diaphragms for larger single actuators
- The solenoid valves vent to 0 bar
- Direct lift pilot operators have a resilient soft seating to control the floating diaphragms and to ensure absolute tight shut-off
- The solenoid valves satisfy all relevant EU Directives

GENERAL

Differential pressure See «SPECIFICATIONS» [1 bar = 100 kPa]
Maximum viscosity 65 cSt (mm²/s)
Response time 40 - 120 ms

fluids (*)	temperature range (TS)	seal materials (*)
air, inert gas, water	- 20°C to + 80°C	NBR (nitrile)

MATERIALS IN CONTACT WITH FLUID

(*) Ensure that the compatibility of the fluids in contact with the materials is verified

Body	Brass
Core tube	Stainless steel
Core and plugnut	Stainless steel
Core spring	Stainless steel
Seat	Brass
Seat insert	POM
Seals & discs	NBR
Diaphragms	NBR
Disc holder	POM
Shading coil	Copper

ELECTRICAL CHARACTERISTICS

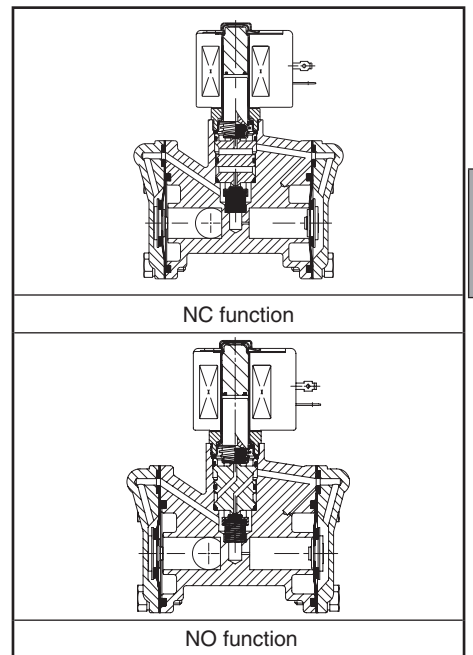
Coil insulation class F
Connector Spade plug (cable Ø 6-10 mm)
Connector specification ISO 4400 / EN 175301-803, form A
Electrical safety IEC 335
Electrical enclosure protection Moulded IP65 (EN 60529)
Standard voltages DC (=) : 24V - 48V
 (Other voltages and 60 Hz on request) AC (~) : 24V - 48V - 115V - 230V / 50 Hz

prefix option	power ratings				operator ambient temperature range (TS) (C°)	replacement coil		type ⁽¹⁾
	inrush ~ (VA)	holding ~ (W)		hot/cold = (W)		~ 230 V/50 Hz	= 24 V DC	
		(VA)	(W)					
SC	34	15,6	6	7 / 9,7	-20 to + 75	400325-117	400325-142	01
	78	35	16,7	-	-20 to + 50	400425-217	-	02
	-	-	-	12/16,8	-20 to + 75	-	400625-142	03

⁽¹⁾ Refer to the dimensional drawings on the following page.

SPECIFICATIONS

pipe size	orifice size	flow coefficient Kv		min.	operating pressure differential (bar)								power coil (W)	catalogue number	options						
					max. (PS)										~	=	maintained man. operator	FPM	EPDM	CR	PTFE
					air (*)		water (*)		~		=										
NPT	(mm)	(m ³ /h)	(l/min)										~/=								
NC - Normally closed																					
3/8	16	2	33,3	0,7	8,5	8,5	8,5	8,5	-	-	6	9,7	SCB316A054	MO	V	E	-	-			
					17	17	17	17	-	-	16,7	16,8							SCB316D014		
1/2	16	2,8	46,6	0,7	8,5	8,5	8,5	8,5	-	-	6	9,7	SCB316A064	MO	V	E	J	-			
					17	17	17	17	-	-	16,7	16,8							SCB316D024		
3/4	18	4,2	70	0,7	8,5	8,5	8,5	8,5	-	-	6	9,7	SCB316B074	MO	V	E	-	-			
					17	17	17	17	-	-	16,7	16,8							SCB316E044		
1	25	11,3	188,3	0,7	8,5	8,5	8,5	8,5	-	-	6	9,7	SCB316E034	MO	V	E	-	-			
NO - Normally open																					
3/8	16	2	33,3	0,7	8,5	8,5	8,5	8,5	-	-	6	9,7	SCB316A056	MO	V	E	-	-			
					17	17	17	17	-	-	16,7	16,8							SCB316D016		
1/2	16	2,8	46,6	0,7	8,5	8,5	8,5	8,5	-	-	6	9,7	SCB316A066	MO	V	E	-	-			
					17	17	17	17	-	-	16,7	16,8							SCB316D026		
3/4	18	4,2	70	0,7	8,5	8,5	8,5	8,5	-	-	6	9,7	SCB316B076	MO	V	E	-	-			
					17	17	17	17	-	-	16,7	16,8							SCB316E046		
1	25	11,3	188,3	0,7	8,5	8,5	8,5	8,5	-	-	6	9,7	SCB316E036	MO	V	E	-	-			



E

00081GB-2016/R01 Availability, design and specifications are subject to change without notice. All rights reserved.

OPTIONS

- Valves can also be supplied with FPM (fluoroelastomer), EPDM (ethylene-propylene), CR (chloroprene) and PTFE seals and discs. Use the appropriate optional suffix letter for identification
- Waterproof enclosure with embedded screw terminal coil according to protection class IP67, CEE-10
- Explosionproof enclosures for use in zones 1/21-2/22, categories 2-3 to ATEX Directive 2014/34/EU (see "Explosionproof solenoids" section)
- Electrical enclosures according to "NEMA" standards are available
- Compliance with "UL", "CSA" and other local approvals available on request
- Mounting brackets for brass body valves, suffix MB
- Other pipe connections are available on request
- Plug with visual indication and peak voltage suppression or with cable length of 2 m (see Solenoids, Coils & Accessories section)

INSTALLATION

- The solenoid valves can be mounted in any position without affecting operation
- Pipe connection identifier is B = NPT (ANSI 1.20.3)
- Installation/maintenance instructions are included with each valve

SPARE PARTS KIT & ACCESSORIES

catalogue number	spare parts kit no.		mounting bracket no.
	~	=	
SCB316A054/A064/B074	C314491	C314540	038713-000
SCB316D014/D024/E044	C314495	C314550	038713-000
SCB316E034	C302661	C302681	-
SCB316E036	C302671	C302691	-
SCB316A056/A066/B076	C314492	C314494	038713-000
SCB316D016/D026/E046	C314496	C314551	038713-000

(1) Standard prefixes/suffixes are also applicable to kits.
- Not available

ORDERING EXAMPLES:

SC	B	316	A	064	230V / 50 Hz
SC	B	316	A	064	MO 115V / 50 Hz
SC	B	316	D	016	V 24V / DC
SC	B	316	E	046	230V / 50 Hz

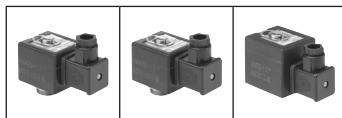
prefix pipe thread basic number voltage suffix

ORDERING EXAMPLES KITS:

C314491 ⁽¹⁾	
C314540	V
C314492	E

basic number suffix

DIMENSIONS (mm), WEIGHT (kg)



TYPE 01-02-03

Prefix "SC" Solenoid
Epoxy moulded
IEC 335 / ISO 4400
IP65

TYPE 01: B316A054/A064/A056/A066

TYPE 02/03: B316D014/D024/D016/D026

TYPE 01: B316B074/B076

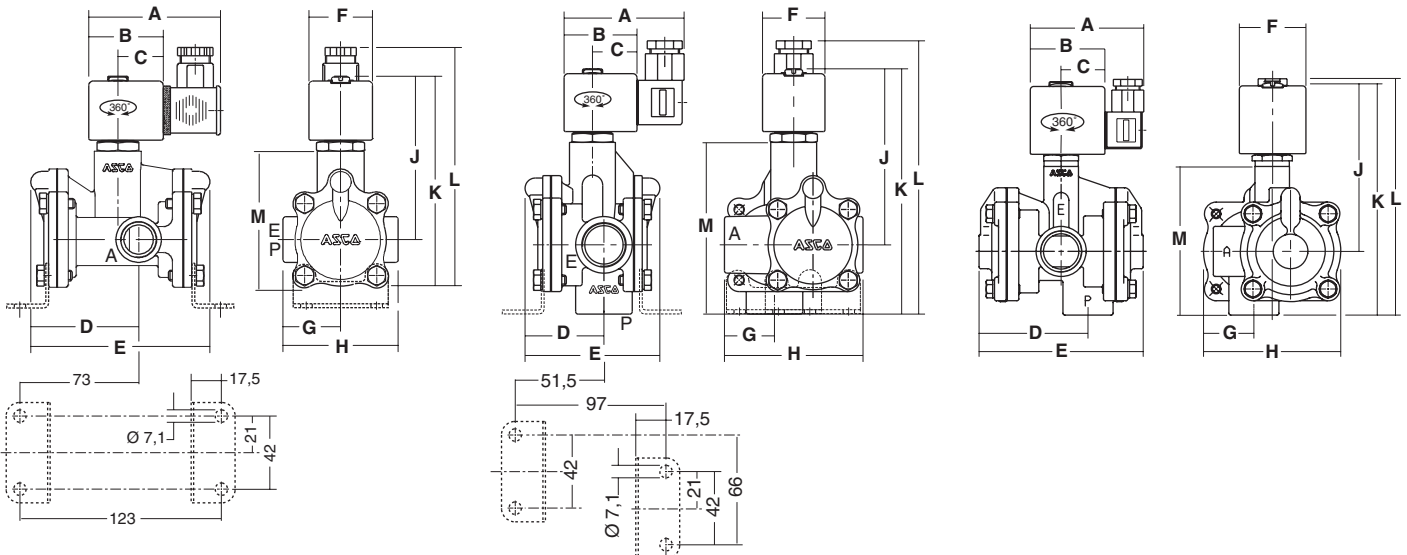
TYPE 02/03: B316E044/E046



TYPE 01

Prefix "SC" Solenoid
Epoxy moulded
IEC 335 / ISO 4400
IP65

SCB316E034/E036



type	prefix option	catalogue number	A	B	C	D	E	F	G	H	J	K	L	M	weight ⁽²⁾
01	SC	SCB316A054/A056/B064/B066	75	45	27	69.5	110	39	35	70	100	130	140	85	1,6
		SCB316B074/B076	75	45	27	48	84	39	31	86	110	152	169	107	4,4
		SCB316E034/E036	75	45	27	90	136	39	41	113	116	168	185	123	3,4
02	SC	SCB316D014/D016/D024/D026 (~)	80	50	30	69.5	110	45	35	70	104	134	144	85	2,7
		SCB316E044/E046 (~)	80	50	30	48	84	45	31	86	114	156	173	107	4,4
03	SC	SCB316D014/D016/D024/D026 (=)	86	56	33	69.5	110	50	35	70	111	141	151	84	2,6
		SCB316E044/E046 (=)	86	56	33	48	84	50	31	86	121	163	163	106	4,4

(2) Incl. coil(s) and connector(s).

All leaflets are available on: www.asco.com