

High quality requirements and technical standards of the chemical industry have been used as basic design parameters for these full bore ball valves.

Features

- Full bore two piece ball valve.
- Internally mounted blow out proof stem.
- Anti static to ISO 7121.
- Different gland packing configurations.
- Actuator mounting flange acc. DIN/ISO 5211.
- Face-to-face dimensions to DIN/EN 558-1 Series 27.
- Fugitive emission free packing TA-Luft VDI 2440.
- Encapsulated body seal.
- Various options available:
 - double gland packing with monitoring port
 - stem extensions
 - spring mounted seat
 - heating jacket also for installed valves
 - fire safe
 - several type-tests and general industrial approvals.



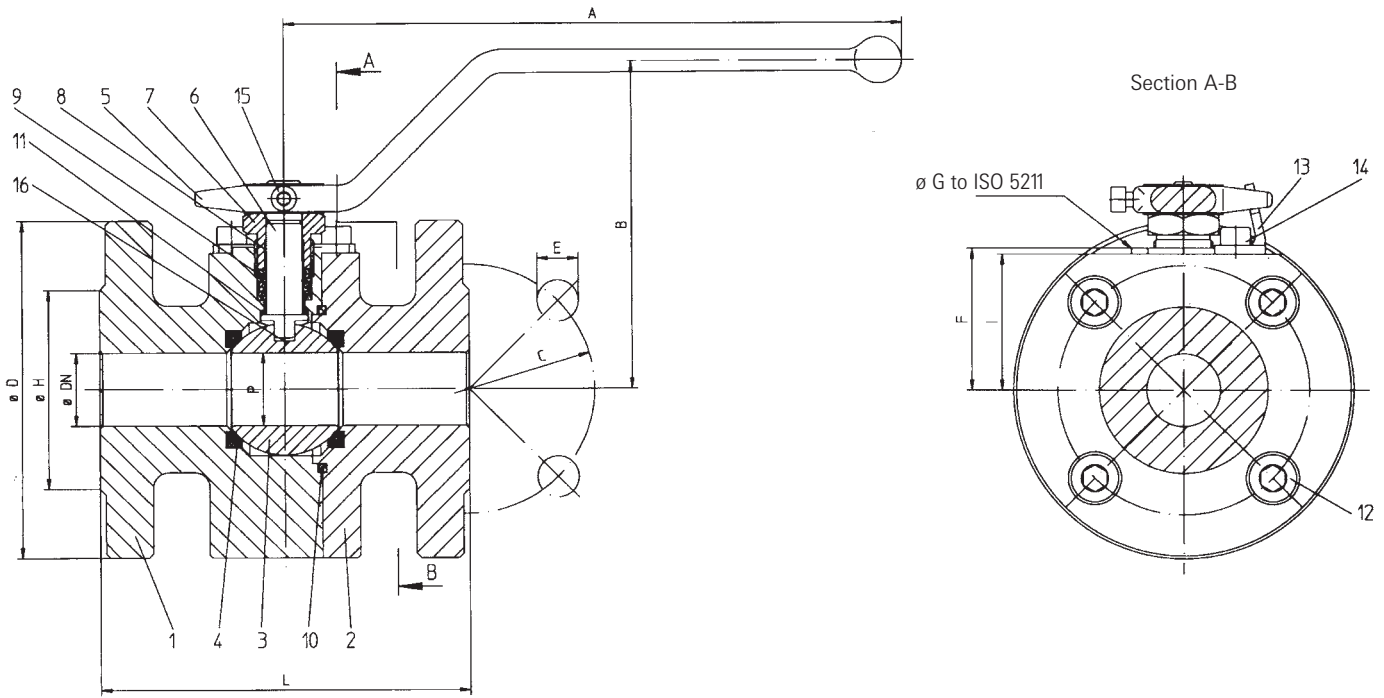
Technical data

Pressure (bar) : PN16 - PN40
 Temperature (°C) : -60 to + 225
 Sizes (mm) : 25 - 200
 Flange accommodation : DIN, special flange connections on request

General application

In the chemical and pharmaceutical industries, but also for energy applications on media (gases, fluids, steam, etc) where carbon steel or austenitic steel materials are resistant.

Size DN 25



Parts list - material of construction

Item	Qty	Designation	Material
1	1	Body	1.4404/1.0460/1.4408
2	1	Adaptor	1.4404/1.0460
3	1	Ball	1.4404
4	2	Ball seat	PTFE/Glass
5	1	Hand lever	All-black ductile iron
6	1	Stem	1.4462
7	1	Gland	1.4404
8	1	Bearing	Metaloplast
9	1	Packing (Dynapack)	PTFE + 1.4404
10	1	Body seal	PTFE
11	1	Stem bearing	PTFE/Carbon
12	4	Socket head bolt	A 4-70
13	1	Stop	1.4310
14	2	Hexagon bolt	A 4-70
15	1	Screw	
16	1	Spring	1.4310

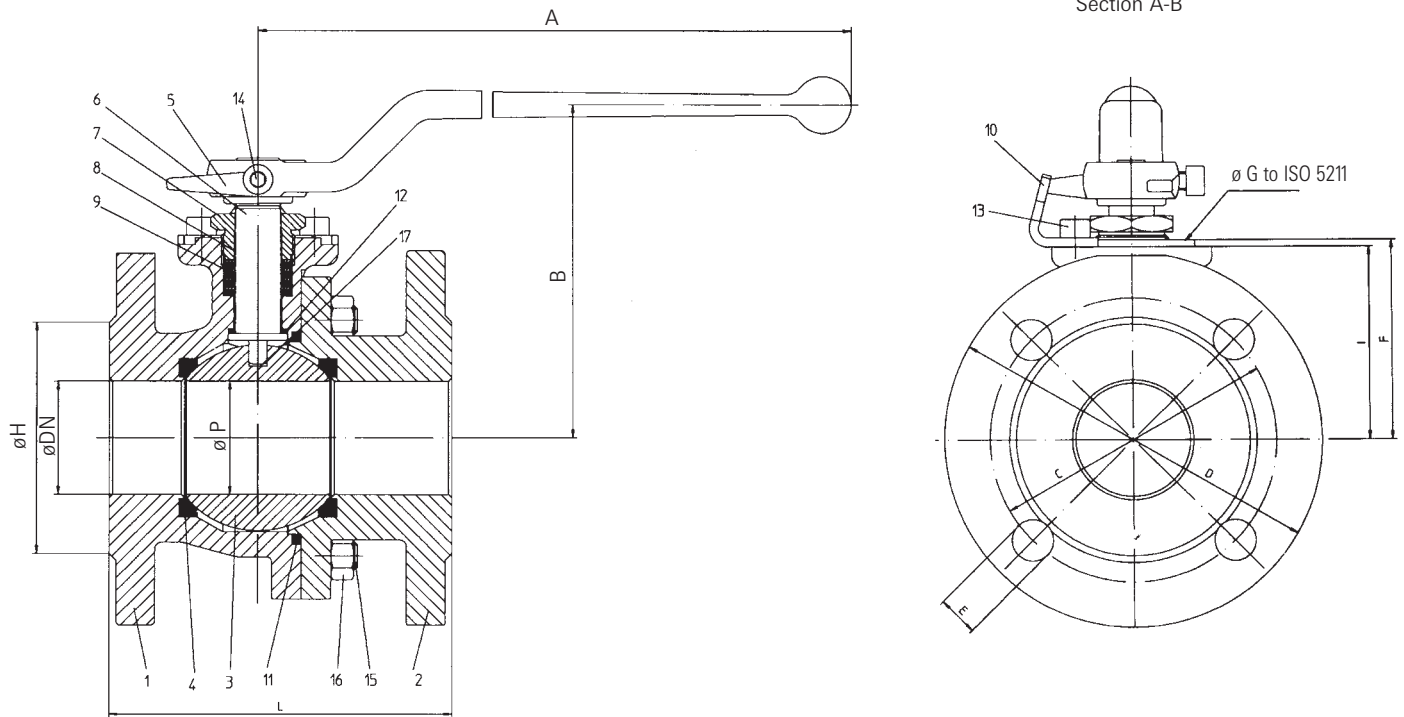
Dimensions and weight

DN	PN	A	B	øC	øD	E	F	øG	øH	I	øP	L	DIN/ISO 5211	Weight kg
25	40	212	96	65	95	14	35	35	45	33,5	14	125	F05	2,3

Two-Piece Ball Valves Series CAPRO

type 328/628, DN 40 - 100, PN40, face-to-face dimensions DIN 3202 F4

Size DN 50



Parts list - material of construction

Item	Qty	Designation	Material
1	1	Body	1.4404/1.4408/1.0619
2	1	Adaptor	1.4404/1.4408/1.0619
3	1	Ball	1.4404/1.4408
4	2	Ball seat	PTFE/Glass
5	1	Hand lever	All-black ductile iron
6	1	Stem	1.4462
7	1	Gland	1.4404
8	1	Bearing	Metaloplast
9	1	Packing (Dynapack)	PTFE + 1.4404
10	1	Stop	1.4310
11	1	Body seal	PTFE
12	1	Stem bearing	PTFE/Carbon
13	2	Socket head bolt	A 4-70
14	2	Screw	1.4310
15	6/8	Stud bolt	A4-70
16	6/8	Nut	A4-70
17	1	Spring	1.4310

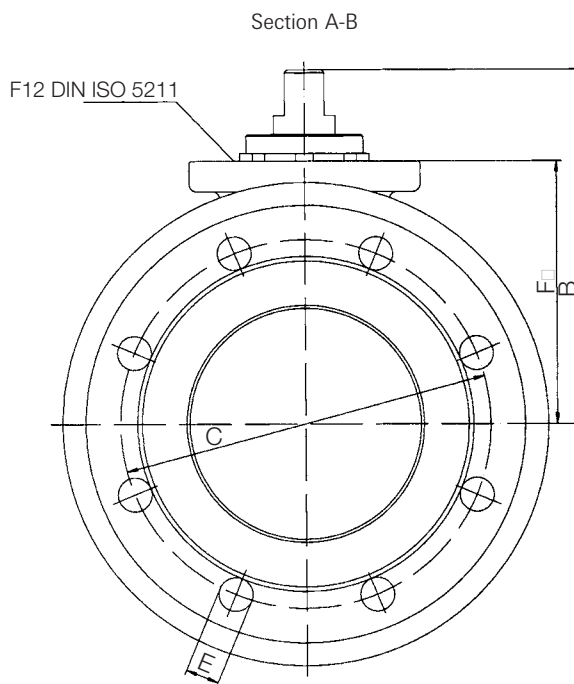
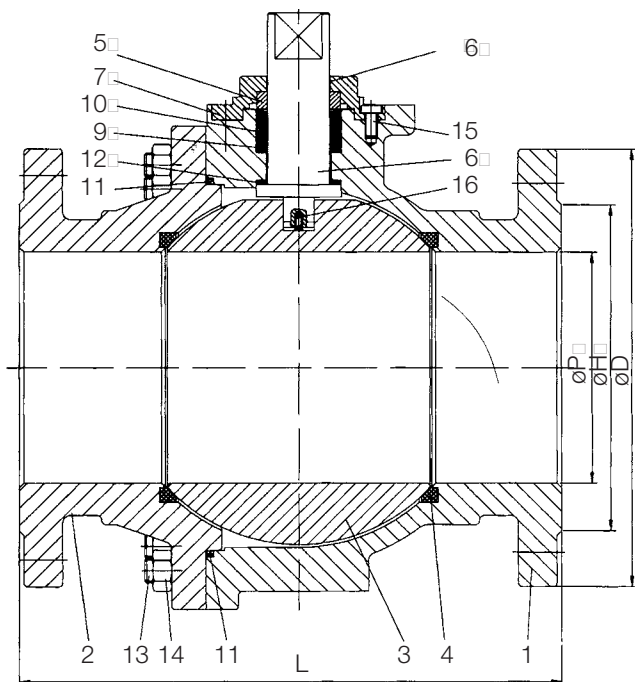
Dimensions and weight

DN	PN	A	B	ØC	ØD	E	F	ØG	ØH	I	ØP	L	DIN/ISO 5211	Weight kg
40	40	250	144	110	150	18	79	55	88	77	40	140	F07	9,5
50	40	315	146,5	125	165	18	88	55	102	85	50	150	F07	12,9
65	40	545	172,5	145	185	18	89	55	122	87	65	170	F07	23,2
80	40	545	179	160	200	18	104	70	138	102	76	180	F10	24
100	40	545	195,5	190	235	22	129	70	162	126	100	190	F10	34

Two-Piece Ball Valves Series CAPRO

type 328/628, DN 125 - 200, PN16/PN40, face-to-face dimensions DIN 3202 F5

Size DN 150, PN16, floating ball



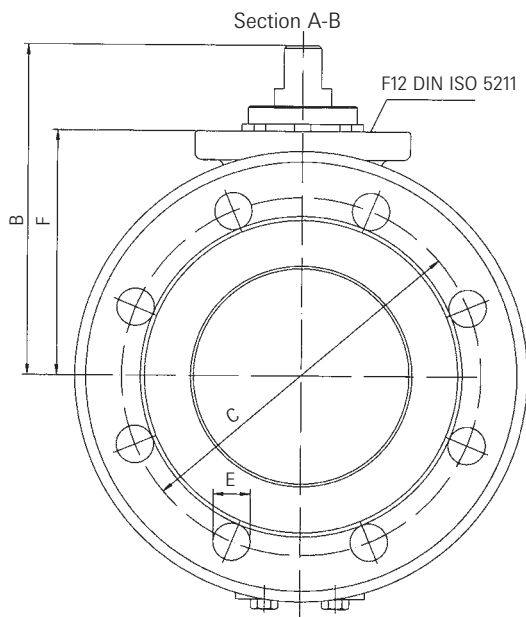
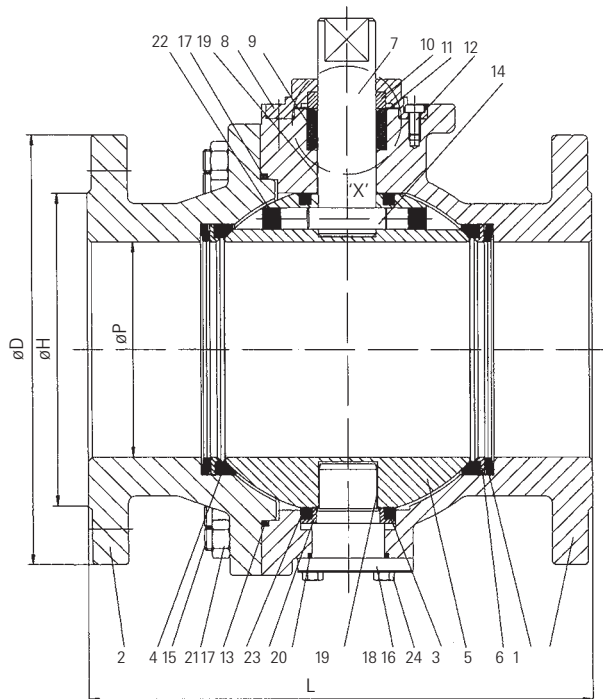
Parts list - material of construction

Item	Qty	Designation	Material
1	1	Body	1.4404/1.0619/1.0460/1.4408
2	1	Adapter	1.4404/1.0619/1.0460
3	1	Ball	1.4408
4	2	Ball seat	PTFE/Glass
5	1	Thrust ring	1.4571
6	1	Stem	1.4462
7	1	End cap	1.4571
8	1	Guide bush (cap)	Metaloplast
9	2	Conical ring packing	PTFE/Carbon
10	4	Belleville washers	1.4310
11	1	Body seal	PTFE
12	1	Stem bearing	PTFE/Carbon
13	18	Stud bolt	A4 - 70
14	18	Hexagonal nut	A4
15	8	Socket-head cap screw	A4 - 70
16	1	Antistatic device spring	1.4310

Dimensions and weight

DN	PN	B	ØC	ØD	E	F	ØH	ØP	L	DIN/ISO	Weight kg	Weight kg
										5211	hand lever	gear
125	16	204	210	250	18	144	188	125	325	F12	56	59
150	16	210	240	285	22	150	212	150	350	F12	69	76
200	16	338	295	340	22	210	268	200	400	F12	150	158

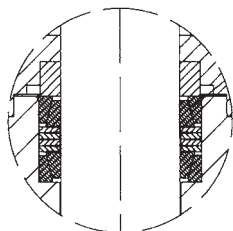
Size DN 125, PN40, trunnion mounted ball



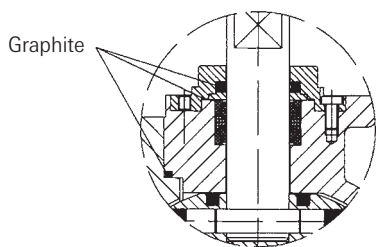
Floating ball DN 125 - DN 150, PN16

Parts list - material of construction

Item	Qty	Designation	Material
1	1	Body	1.4404/1.0619/1.4408
2	1	Adaptor	1.4404/1.0619
3	1	Ball	1.4408
4	2	Ball seat	PTFE/Glas
5	1	Seat bearing ring	1.4571
6	2	Belleville washer	1.4310
7	1	Stem	1.4462
8	1	End cap	1.4571
9	4	Belleville washer	1.4310
10	1	Thrust ring	1.4571
11	2	Conical ring packing	PTFE/carbon
12	8	Socket-head cap screw	A4-70
13	2	Duo sealing	PTFE
14	1	Taper pin	1.4462
15	18	Stud bolt	A4-70
16	4	Hexagon head screw	A4-70
17	1	Body seal	PTFE
18	1	Trunnion bearing	1.4571
19	2	Bushing guide	Metaloplast
20	1	Sealing	PTFE
21	18	Hexagonal nut	A4
22	2	Plug	PTFE
23	1	Thrust ring	1.4571
24	2	O-Ring	Viton



Detail „X“



Fire Safe

On request:
DN 125 - DN 200, PN40
(trunnion mounted ball valves)

Dimensions and weight

DN	PN	B	$\varnothing C$	$\varnothing D$	E	F	$\varnothing H$	$\varnothing P$	L	DIN/ISO 5211	Weight kg hand lever	Weight kg gear
125	16	204	210	250	18	144	188	125	325	F12	56	59
150	16	207	240	285	22	170	212	150	350	F12	69	76
200	16	338	295	340	22	210	268	200	400	F12	150	158

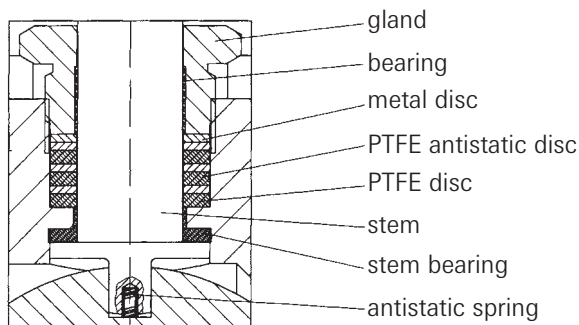
Two-Piece Ball Valves Series CAPRO

type 328/628 performance tables

Stem arrangement

"Dynapack"

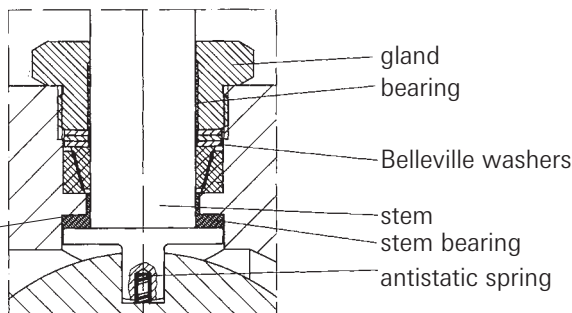
Standard adjustable gland packing



Conical ring packing

maintenance-free gland packing certified „TA-Luft“

packing

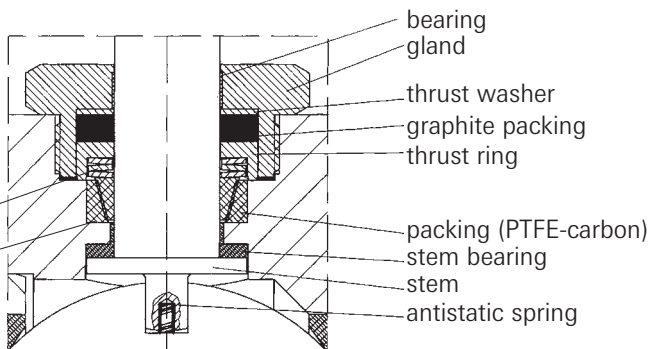


Conical ring packing

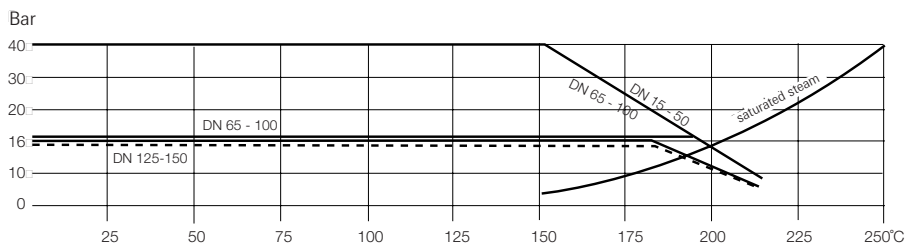
maintenance-free gland packing certified „TA-Luft“ and fire-safe

Belleville washers

graphite seal



Pressure - temperature chart for CAPRO 328/628 - standard seats



Torques in Nm*

ΔP in bar	25	32	40	50	65	80	100
10	15	22	33	45	67	90	120
16	20	29	36	59	87	117	156
25	26	38	47	77	113	152	212
40	34	50	61	100	158	216	315

Torques in Nm*

ΔP in bar	DN	125	125**	150	150**	200
10		200	280	250	325	325
16		260	370	350	455	460
25		350	520	480	-	-
40		490	720	620	-	-

* measured with instrument air at ambient temperature

** floating ball

Flow coefficient K_{VS}

DN	K_{VS} m ³ /h
15	11
20	22
25	56
32	69
40	161
50	311
65	536
80	818
100	1709
125	2250
150	3235
200	6240