

# T205 and T208 Series

## Tank Blanketing Regulators

- Specifically designed for pressure-sensitive tank blanketing applications
- Direct-operated for quick response to tank pressure changes
- Internal or external pressure sensing for application flexibility

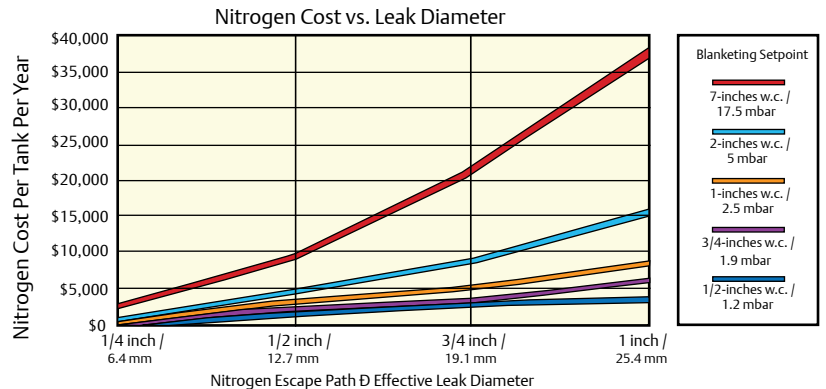
### Introduction

The T205 and T208 Series are direct-operated, tank blanketing regulators. The T205 Series are pressure reducing regulators, while the T208 Series are pressure relief regulators. Together, these regulators provide precise tank blanketing pressure control.

By introducing the least amount of gas required into a tank, the volume of gas that escapes through poorly sealed vents and other paths is reduced. In this way, significant blanketing gas costs can be saved. In order to accomplish this, a regulator that can sense very low pressures, such as the Type T205, is required.

### Application

These regulators have been specifically designed for tank blanketing applications. In tank blanketing, a gas such as nitrogen is brought into the tank in order to inert the vapor space above the liquid. This application is characterized by low pressure. The T205 and T208 Series are able to maintain very low pressure setpoints and respond to very small changes in pressure.



[www.emersonprocess.com/regulators](http://www.emersonprocess.com/regulators)

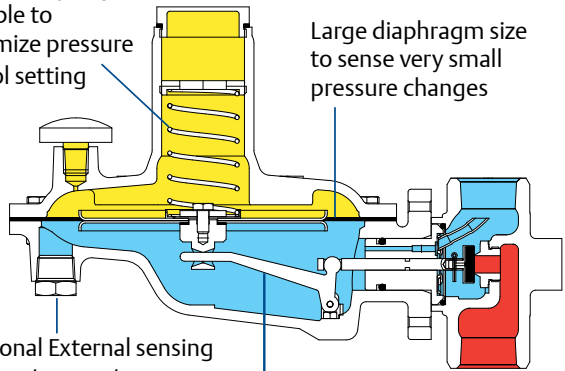


EMERSON. CONSIDER IT SOLVED.™

# T205 and T208 Series

## Tank Blanketing Regulators

7 different springs available to customize pressure control setting



Large diaphragm size to sense very small pressure changes

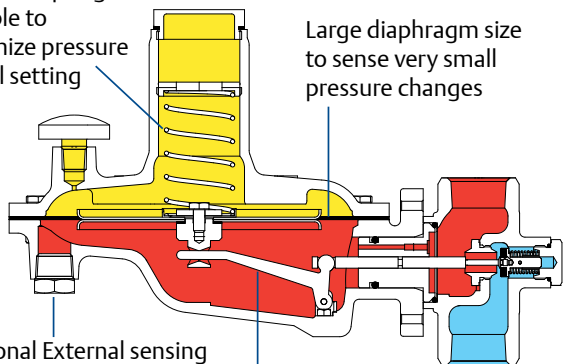
Optional External sensing for most accurate pressure control

Lever design provides increased lockup force without extra cost and size

■ INLET PRESSURE  
■ OUTLET PRESSURE  
■ ATMOSPHERIC PRESSURE

### TYPE T205

7 different springs available to customize pressure control setting



Large diaphragm size to sense very small pressure changes

Optional External sensing for most accurate pressure control

Lever design provides increased lockup force without extra cost and size

■ INLET PRESSURE  
■ OUTLET PRESSURE  
■ ATMOSPHERIC PRESSURE

### TYPE T208



A variety of trim materials are available, designed to withstand the toughest tank environments.

Durable casing and body, designed for many years of service. Available in 316L stainless steel for greater chemical resistance.

- Sizes: 3/4 and 1 inch
- Body and Casing Materials: Cast Iron, Steel, Stainless steel (316L)
- End Connections: NPT, CL150 RF, CL300 RF, PN 16/25/40
- Maximum Inlet Pressure: 200 psig / 13.8 bar
- Control Pressure Range: 1 inch w.c. to 7 psig / 2 mbar to 0.48 bar
- Trim Materials: FEP, NBR, FKM, FFKM, EPDM

### Quality Assurance



Distinctive diamond shape cast into spring case uniquely identifies the product as part of the Fisher® brand and assures you of the highest-quality engineering, durability, performance, and support.

#### Industrial Regulators

#### Emerson Process Management Regulator Technologies, Inc.

3200 Emerson Way  
 McKinney, Texas 75070 USA  
 Tel: +1 800 558 5853  
 Outside U.S. +1 972 548 3574

Asia-Pacific  
 Shanghai 201206, China  
 Tel: +86 21 2892 9000

Europe  
 Bologna 40013, Italy  
 Tel: +39 051 419 0611

Middle East and Africa  
 Dubai, United Arab Emirates  
 Tel: +971 4811 8100

For further information, visit [www.fisherregulators.com](http://www.fisherregulators.com)

D352121X012 © 2013 Emerson Process Management Regulator Technologies, Inc. All rights reserved. Printed in the U.S.A. 09/13.  
 Fisher, Emerson Process Management, and the Emerson Process Management design are marks of one of the Emerson Process Management group of companies.  
 All other marks are the property of their respective owners.

#### Our Global Product Brand:

