

Clarkson™ Tiered Spare Parts Kits

OEM parts to extend the exceptional performance life of your Clarkson Knife Gate Valves.



Your Challenge

Has your valve maintenance event ever been delayed or extended because you didn't have the replacement parts on hand? Or perhaps you're looking to better identify, manage and protect the spares inventory for your critical valve assets?

Your Opportunity

Emerson's genuine OEM-quality spare parts kits for Clarkson Knife Gate Valves solve these issues. Emerson's spare part kits are available under a single part number and packaged for protection, with all components required for a standard maintenance event. That means you can:

- ✓ Simplify your spare parts ordering
- ✓ Improve inventory management
- ✓ Ensure all components are available when needed
- ✓ Receive rapid delivery with locally stocked kits

Prepare for Your Maintenance Event

Clarkson spare parts kits are available with tiered options to match your maintenance event plan with the genuine OEM parts you need. See the next page for kit details by product.

Frequently Asked Questions

For which products will kits be available?

Clarkson Tiered Spare Parts Kits are available for KGD, KGA+, KGF, KGH (NPS 2-24 / DN 50-600), KS1 (NPS 2-30 / DN 50-750) and KS3 (NPS 3-30 / DN 80-750).

Can I still buy individual components?

Components that are part of a kit will only be available for purchase as a complete kit. Non-kitted critical components are available; please contact your local Emerson representative for support options.

Can I still buy special material spare parts?

Special material sleeves and gates are still available for purchase separately.

What if I do not need all parts of the kit?

Emerson recommends changing all tiered kit parts at the same time as good maintenance practice. Many of the components interact, wear at the same rates, and will have an impact on the service life of other parts.

Will prices change?

No. Kit list prices are equal to the sum of their included components' current prices and any existing discount agreements will be honoured.

Why OEM Quality Matters | Don't risk the safety of your people with inferior imitation parts. [Learn more >](#)



Achieve extended valve life

Optimized sleeve & seat durometer creates ideal compression on the gate



Run your processes for longer

Sleeves & seats feature a fully encapsulated stiffener ring



Rest assured of the highest quality

Each sleeve & seat is rigorously tested for identical performance



Bank on longer performance

Patented compound formulations maximize resistance damage

Clarkson™ Tiered Spare Parts Kits

Clarkson KGD

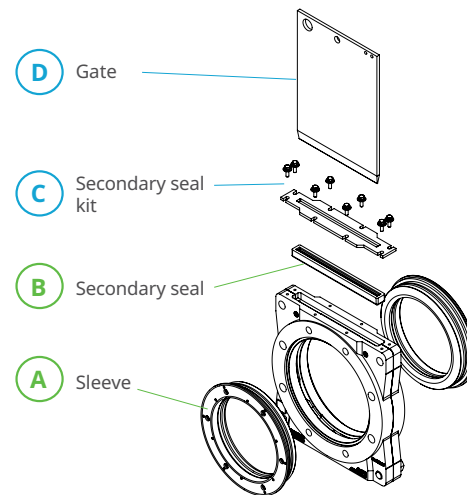
Tier	Component	Qty	Item
1	Sleeves*	2	A
	Secondary Seal	1	B
2	Secondary Seal Kit	1	C
	Gate°	1	D

Notes

* Available in Natural Rubber and EPDM

° Available in 316 Stainless Steel

Other materials available as individual components



Clarkson KGA+, KGF, KGH

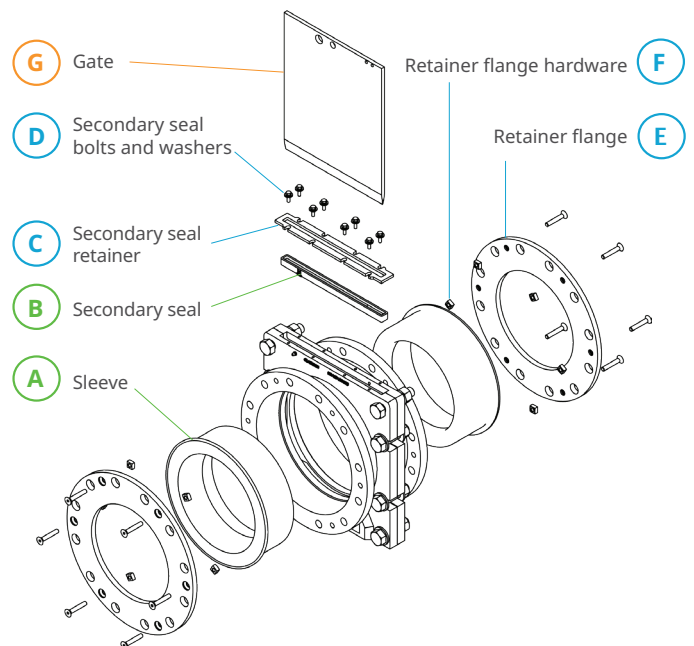
Tier	Component	Qty	Item
1	Sleeves*	2	A
	Secondary Seal	1	B
2	Secondary Seal Retainer	1	C
	Secondary Seal Retainer Hardware	1 set	D
	Retainer Flanges	2	E
	Retainer Flange Hardware	2 sets	F
3	Gate°	1	G

Notes

* Available in Natural Rubber and EPDM

° Available in 316 Stainless Steel

Other materials available as individual components



Clarkson KS1, KS3

Tier	Component	Qty	Item
1	Seat*	1	A
	Transverse Seal Kit	1	B
2	Ni-Resist Wear Rings	2	C
3	Gate°	1	D
	Gate Supports	1	E

Notes

* Available in Natural Rubber, EPDM and HNBR

° Available in 17-4 Stainless Steel and 2205 Stainless Steel

