

Coriolis custody transfer accuracy, without the maintenance



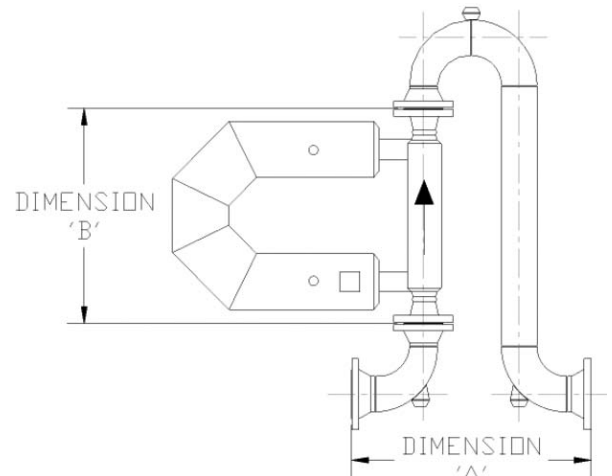
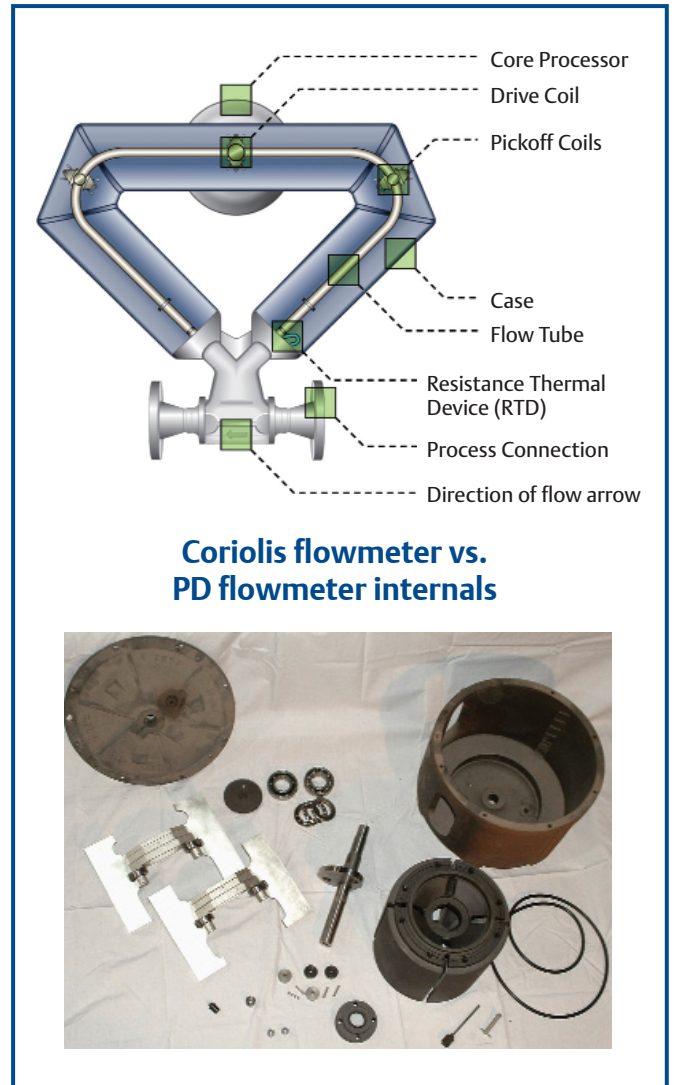
- Improved measurement reliability
- Lower maintenance costs
- Sustainable measurement performance
- Compliance with industry standards and/or government approvals

Advantages of Coriolis technology

- $\pm 0.1\%$ mass / volume accuracy
- 0.0005 g/cc density accuracy
- No moving parts
- No fluid viscosity or density effects
- No slippage
- 20:1 turndown in custody transfer applications
- Not damaged by pulsating flows, flow surges, sand, slug flow and entrained gas
- Sensor and electronics diagnostics
- Continuous, full stream density measurement for net volume calculations and ° API confirmation
- Bi-directional flow

Easy to replace

- Direct replacement with some 10" PD meters
- Simple retrofit kit or design available



Industry Accepted

- 10,000s of installed meters globally
- Meets or exceeds AP standards for crude oil and hydrocarbon product

**American Petroleum Institute (API)
Manual of Petroleum Measurement
Standards**

**Chapter 5.6 - Measurement of Liquid
Hydrocarbons by Coriolis Meters**

ANSI/API MPMS 5.6-2002

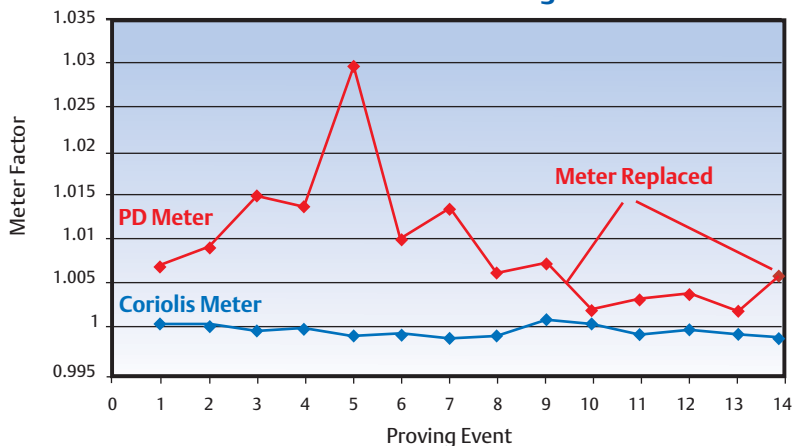


**LACT, Truck Mounted, Pipeline, Loading,
Cavern Storage**

Field Proven

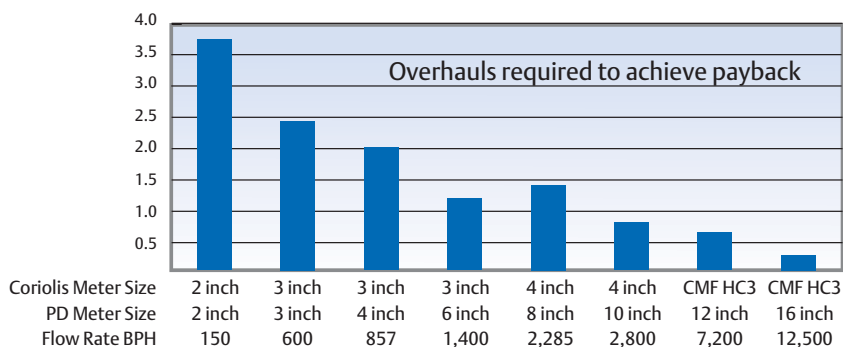
Comparison of Coriolis and PD meter performance over a 14 month period in a same location truck loading facility.

PD vs. Coriolis Proving Data



Return On Investment

The economic justification for replacing a PD meter with Coriolis can often be justified on maintenance alone.



We Make it EASY:

Micro Motion has the products and industry expertise to support your application from design through to field proven acceptance.

Training • Site Audits • System Design • Commissioning • Site Proving



For more information, visit www.micromotion.com

