

Mechanical Grippers For High Gripping Forces



UPG Series Mechanical Grippers

- Durable, precise slide bearing guide
- High, synchronized force transfer
- High torque absorption capabilities
- Also for applications with long gripper fingers
- Universal, simple gripper assembly
- Flexible pressure supply options
- Special proximity sensors with easy drop-in assembly

Grippers For Universal Application



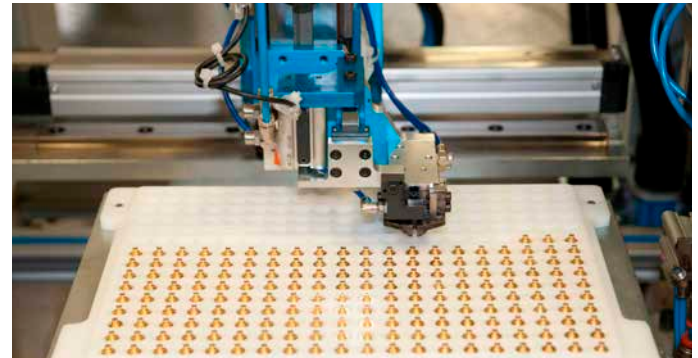
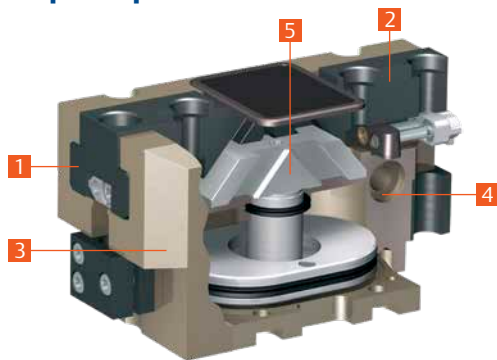
One series, seven sizes, countless possibilities – finding the right gripper solution is easy with the new UPG series. The universal parallel grippers (UPG) cover performance needs for virtually any standard application in automation technology.

The UPG universal genius: 2-finger parallel grippers

Multi-talented, well-trained, and hard-working: The UPG series offers all the features of mechanical grippers for top results, with high gripping forces, maximum precision, and reliability. Choose from a wide range of gripping forces up to over 2,000 Newtons as well as versions with or without gripping force retention and equip your gripper with object-specific gripper fingers based on the application requirements.

Thanks to its durable design with especially robust T-slot slide bearing guide, the UPG series is also ideal for larger finger lengths. In addition, the flexible mounting options and the interface to the Easy-2-Combine modular system make assembling the grippers and exchanging the gripper fingers simple and reproducible.

Oval piston, proven kinematics with wedge hook principle



Type/size	Stroke per jaw	Recommended workpiece mass	Effective gripping force
UPG-40	2.5 mm	0.62 kg	123 – 163 N
UPG-50	4 mm	0.7 kg	140 – 185 N
UPG-64	6 mm	1.25 kg	250 – 340 N
UPG-80	8 mm	2.1 kg	415 – 570 N
UPG-100	10 mm	3.3 kg	660 – 900 N
UPG-125	13 mm	5.47 kg	1080 – 1470 N
UPG-160	16 mm	8.2 kg	1640 – 2210 N

- 1 | Robust T-slot slide bearing guide for high precision
- 2 | Base jaws for custom attachment of workpiece-specific gripper fingers
- 3 | Weight-optimized housing made of hard-anodized aluminum alloy
- 4 | Centering and mounting options for universal gripper assembly
- 5 | Oval piston and kinematics with wedge hook principle for high force transfer and central gripping

AVENTICS™

AVENTICS GmbH Ulmer Straße 4 30880 Laatzen www.emerson.com/aventics aventics@emerson.com
 R500000641/2019-03/EN Subject to change. Printed in Germany.
 © AVENTICS GmbH. This document, as well as the data, specifications and other information set forth in it, are the exclusive property of AVENTICS GmbH. It may not be reproduced or given to third parties without its consent.

