

Quarter-turn Worm Gear Operators for Manual Operation

AT Series



Standard Features

- Lean design whilst optimizing robustness and strength
- 27 models up to a torque of 350,000 Nm and F-60 mounting base
- Grease filled for life
- Fully sealed gearbox and completely enclosed gearing
- Cast iron casing and ductile iron quadrant
- Stroke 0-90° (+5° adjustable)
- Zinc plated fasteners
- High performance axial bearings
- Epoxy primer coating is standard for gearbox
- Powder coated handwheels for smooth and easy operation

Options

- Housing material options (ductile iron / stainless steel)
- Worm shaft, fasteners and hand wheel material option available in stainless steel
- Worm wheel material available in aluminum bronze
- High temperature variant up to +200°C (+392°F) & low temperature variant up to -52°C (-61.6°F) available
- Marine application (all exposed shafts and fasteners in stainless steel)
- Finish painting is available on request
- Padlock arrangement available
- Namur mounting available for limit switch box fitment
- Extension shaft for buried service available

Options (Continued)

- Top mounted / top operated version ("handwheel, chainwheel or electric actuator" to be mounted / operated from the top of the gearbox and not from the side)
- Twin-shaft version available for some models of AT series to reduce no. of turns to close for manual operation (for models above AT-300/2/S3 and AT-300/1/S3-IS)
- Stainless steel version of gearboxes available for applications in highly corrosive environments as well as food and beverage, pharmaceutical and sanitary facilities.
- Gearbox options as per API 6D specifications available for torques up to 3500 Nm
- Part turn 180° operated gearbox option available up to 15000 Nm

Quarter-turn Worm Gear Operators for Manual Operation

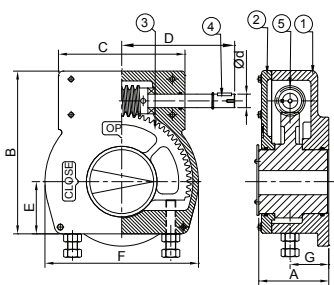


Figure 1

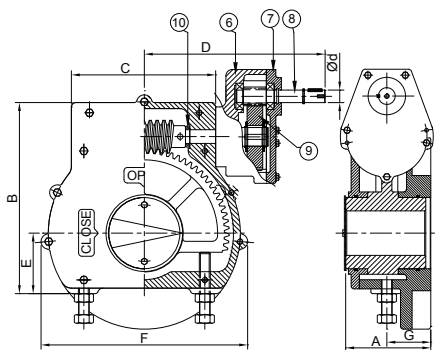
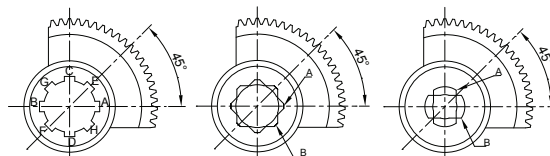


Figure 2



View From Top At Close Position

Note:

Refer to Figure (1) for Models up to “AT-90”
 Refer to Figure (2) for Models above “AT-90”

Sr. No.	Description	Material	US Standard	IS Standard
1	Housing	Cast Iron	ASTM A48-83 30A	IS 210 FG 200
2	Top Cover	Cast Iron	ASTM A48-83 30A	IS 210 FG 200
3	Worm Wheel	Ductile Iron	ASTM A70-50-05	SGI 500/7
4	Input Shaft	Carbon Steel	A576-1045	45C8
5	Worm	Carbon Steel	A576-1045	45C8
6	Spur Housing	Cast Iron	ASTM A48-83 30A	IS 210 FG 200
7	Spur Cover	Cast Iron	ASTM A48-83 30A	IS 210 FG 200
8	Spur Pinion	Carbon Steel	A322-4140	40CrMo3
9	Spur Gear	Ductile Iron	ASTM A70-50-05	SGI 500/7
10	Thrust Bearing	Special Steel	ASTM A295 52100	-

Model	Output Torque (Nm)	Mech. Advantage ±10%	Ratio	Turns To Close	ISO 5211 Mounting	Max Drive Bore	Approx. Unit Weight (Kg)	Recommended Handwheel (mm)	Gear Operator Dimensions							
									A	B	C	D	E	F	G	Ød
AT 20	250	8	33:1	8.25	F05, F07	20	2.2	Ø175	49.5	110	78	161	36	90	23	12
AT 25	500	10	40:1	10	F07, F10	30	5	Ø250	63	136	98	175	54	108	35	15
AT 30	700	10	40:1	10	F07, F10, F12	32	6	Ø350	74	143	95	201	45	128	39	20
AT 40	1000	11	44:1	11	F10, F12, F14	45	10.5	Ø350	86	176	116	210	70	140	47	20
AT 50	1500	12.5	48:1	12	F10, F12, F14, F16	50	11.5	Ø500	82	198	137	226	81	168	44.5	20
AT 60	2000	15	60:1	15	F10, F12, F14, F16	50	15	Ø500	86	214	156	242	83	176	46	20
AT 70	3500	18	73:1	18.25	F14, F16	80	36	Ø600	113	265	206	250	85	250	62	20
						80	36.5							300		
AT 80	3000	22	80:1	20	F12, F14, F16	60	32	Ø500	122.5	245	232	253	84	244	64	20
						80	35							300		
AT 90	4000	22.5	90:1	22.5	F16, F25	90	62	Ø600	133	305	268	249	100	350	78	20
AT 80/1/S1	4500	50	264:1	66	F12, F14, F16	60	36	Ø500	122.5	245	232	325	84	244	64	20
						80	40							119.5		
AT 70/3/S1	6500	65	292:1	73	F14, F16	80	39	Ø600	113	265	206	324	85	250	62	20
						80	49							302		
AT 90/1/S1	8000	70	300:1	75	F16, F25	90	68	Ø600	133	305	268	355	100	350	78	20
AT 100/1/S1	10000	75	300:1	75	F25, F30	100	71	Ø600	151	338	263	352	110	377	76	20
AT 150/1/S2	15000	100	450:1	112.5	F25, F30	100	85	Ø600	151	338	263	396	110	377	76	20
AT 250/2/S2	22500	120	456:1	114	F25, F30, F35	110	140	Ø600	157	424	334	430	133	469	88	20
AT 300/2/S3	28000	210	902:1	225.5	F25, F30, F35	150	140	Ø750	157	424	334	471	133	469	88	20
AT 350/2/S3	35000	253	1114:1	287.5	F25, F30, F35	150	160	Ø750	157	424	334	471	133	469	88	20
AT 450/1/S3	45000	270	1175:1	293.75	F30, F35, F40	150	292	Ø750	200	533	425	515	162	592	100	20
AT 500/1/S3	50000	287	1261:1	325.5	F30, F35, F40	150	380	Ø750	203	650	595	599	199	710	105	20
AT 600/1/S3.5	60000	340	1545:1	386.25	F30, F35, F40	150	425	Ø750	203	650	595	654	199	710	105	25
AT 750/1/S4	75000	400	1826:1	447	F40, F48	200	430	Ø750	203	650	595	658	199	710	105	25
AT 1000/1/S4	100000	600	2635:1	656	F40, F48	200	450	Ø750	203	650	595	658	199	710	103	25
AT 1500/1/S5	150000	860	4224:1	1056	F40, F48	250	1000	Ø900	313	890	729	789	276	960	170	30
AT 2000/1/S5	200000	1210	5498:1	1374.5	F40, F48	250	1200	Ø900	313	890	729	789	276	960	170	30
AT 2500/1/S6	250000	1630	7440:1	1860	F48, F60	260	1800	Ø900	385	1154	1006	963	350	1292	175	30
AT 3000/1/S6	300000	2045	9300:1	2325	F48, F60	260	2000	Ø900	385	1154	1006	963	350	1292	175	25
AT 3500/1/S6	350000	2482	11284:1	2821	F48, F60	260	2200	Ø1000	385	1154	1006	963	350	1292	175	35

World Area Configuration Centers (WACC) offer sales support, service, inventory and commissioning to our global customers.

19200 Northwest Freeway
 Houston TX 77065
 USA
 T +1 281 477 4100
 F +1 281 477 2809

Contact us at gears@emerson.com

©2019 Emerson. All rights reserved.

The Emerson logo is a trademark and service mark of Emerson Electric Co. Emerson reserves the right to amend and change specifications without prior notice.