

ASCO numatics™

AIR RIDE SUSPENSION SYSTEMS

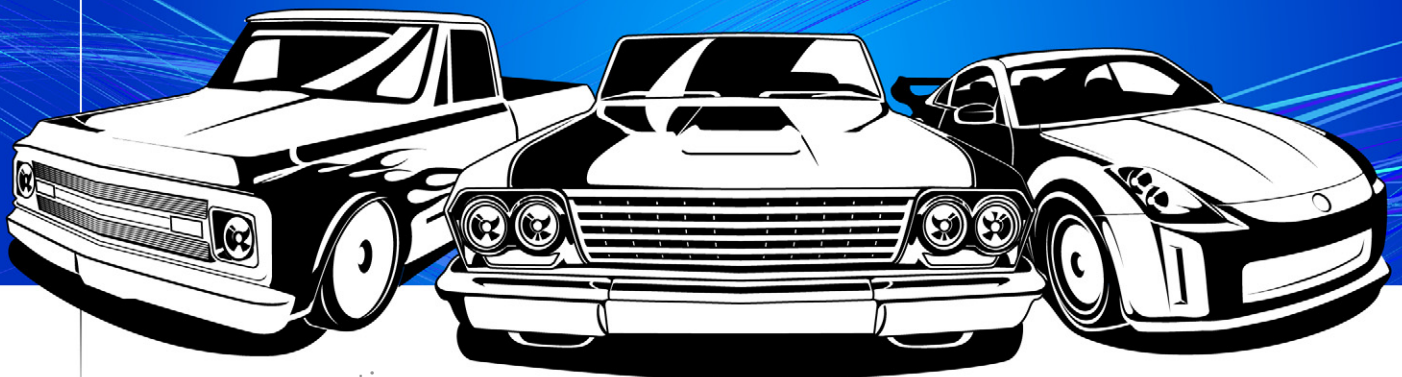
Solenoid Valves (Fast Valves)

Valve Manifold Systems

Pressure Switches

Filters (Water Traps)

Air Bellows & Fittings



www.asconumatics.com

ASCO Numatics Air Ride Components

ASCO Numatics is the ideal supplier for all of your air ride component requirements. Our broad line includes valves, valve manifolds, pressure switches, filters, fittings, and air bellow components. Providing unquestioned reliability, application expertise, and unmatched quality, we're the supplier of choice to get the parts you want when you need them.

How do air suspension systems work?

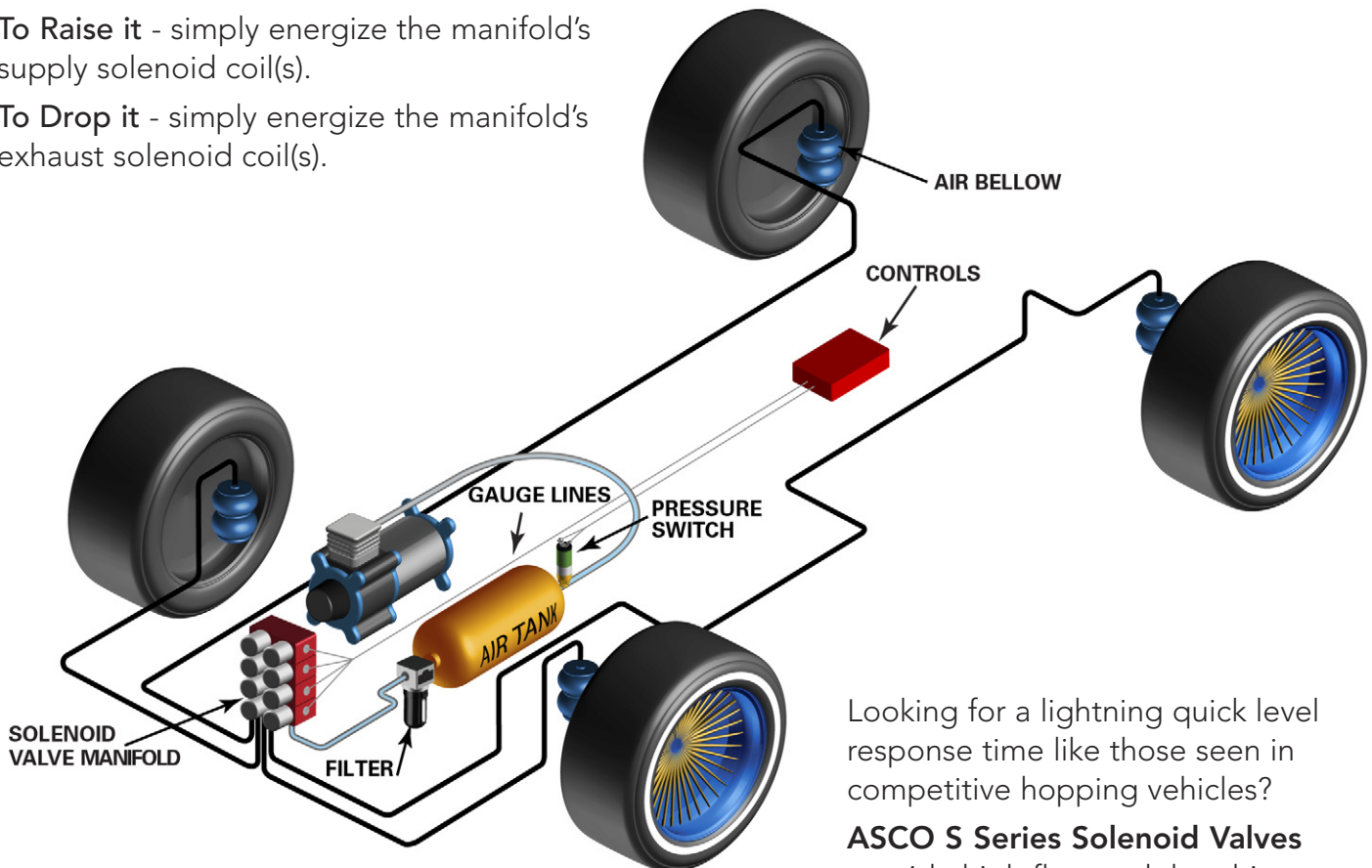
The **compressor** keeps the **air tank** charged with pressurized air. When the pressure in the tank drops below the **ASCO Pressure Switch** set point, the compressor starts up to maintain the tank's pressure.

The **Numatics Filter** (water trap) keeps clean, dry air flowing to the **ASCO Valve Manifold System**. The valves then direct the air flow to the **Numatics Air Bellows**.

ASCO Valve Manifolds include a pressure gauge port connection, allowing you to monitor the pressures of each air bellow in your system. **Numatics Fittings** are used to connect the tubing to all of these components.

To Raise it - simply energize the manifold's supply solenoid coil(s).

To Drop it - simply energize the manifold's exhaust solenoid coil(s).



Looking for a lightning quick level response time like those seen in competitive hopping vehicles?

ASCO S Series Solenoid Valves provide high flow and the ultimate performance in extreme air ride suspension systems.



SERIES 8238 SOLENOID VALVES

Pilot Operated • Brass Body • 3/8" to 1" NPT



DESCRIPTION

ASCO S solenoid valves are designed for high flow, high reliability air suspension systems. The unique design provides high pressure control at minimal power consumption. DIN connection reduces installation time and decreases installation cost. Available in nickel plated designs for maximum appeal.



BENEFITS

- High flow
- 300 psi inlet pressure capability
- DIN connection for easy wiring
- Compact size for tight locations
- High ambient temperature rating (176°F) for under hood applications

OPTIONS

- Nickel plating for show quality finish
- Private labeling
- Mounting bracket #HV282451002
- DIN connector with 6' leads #285481-018

Specifications

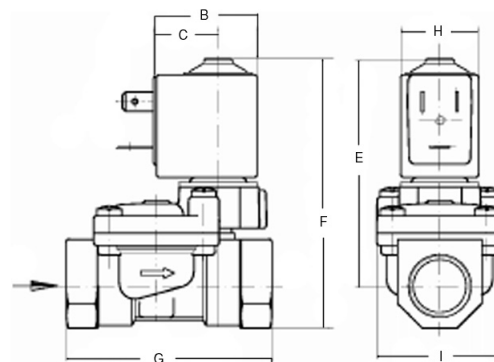
| Pipe Size (ins.) | Orifice Dia. (ins.) | Cv Flow | Operating Pressure Differential (psi) | | | | Max. Fluid Temp. °F | Brass | Nickel Plated | Const. Ref. | UL | Wattage DC | Approx. Shipping Weight (lbs.) |
|--|---------------------|---------|---------------------------------------|---------------|-------|-----------|---------------------|------------|---------------|-------------|----|------------|--------------------------------|
| | | | Min. | Max. DC | | | | | | | | | |
| | | | | Air-Inert Gas | Water | Light Oil | | | | | | | |
| General Service - Normally Closed | | | | | | | | | | | | | |
| 3/8 | 17/32 | 2.89 | 5 | 230 | 230 | 230 | 195 | SC8238T402 | SC8238T425 | 1 | □ | 5.5 | 1.7 |
| 1/2 | 17/32 | 4.45 | 5 | 230 | 230 | 230 | 195 | SC8238T405 | SC8238T426 | 2 | □ | 5.5 | 2.0 |
| 3/4 | 11/16 | 5.85 | 5 | 175 | 175 | 175 | 195 | SC8238T408 | - | 3 | □ | 5.5 | 2.3 |
| 1 | 15/16 | 12.87 | 5 | 175 | 175 | 175 | 195 | SC8238T410 | - | 4 | □ | 5.5 | 3.5 |

□ = Component Solenoid.

Dimensions: inches

| Const. Ref. | B | C | E | F | G | H | I |
|-------------|------|------|------|------|------|------|------|
| 1 | 1.08 | 0.65 | 2.80 | 3.23 | 2.36 | 0.86 | 1.57 |
| 2 | 1.08 | 0.65 | 2.80 | 3.43 | 2.60 | 0.86 | 1.57 |
| 3 | 1.08 | 0.65 | 2.85 | 3.78 | 3.11 | 0.86 | 1.97 |
| 4 | 1.08 | 0.65 | 3.35 | 4.49 | 4.13 | 0.86 | 2.80 |

Const. Ref. 1, 2, 3, 4



ASCO® VALVE MANIFOLD SYSTEMS

Anodized Aluminum Body • 3/8" NPT

DESCRIPTION

ASCO Valve Manifolds are engineered to provide maximum flexibility for your air system design. Single valves allow you to raise and lower your vehicle from one point. Dual control manifolds allow for either front to rear or side to side control of your suspension. Quad control manifolds provide you with the flexibility and speed to control each wheel independently providing the ultimate in suspension control.



BENEFITS

- Gang mountable for easy installation and maintenance
- Rated for air pressures up to 200 psi at ambient and air system temperatures of 32°F to 125°F
- Highest flow manifold on the market with a 0.7 Cv factor with a 7/32" orifice
- 1/8" NPT pressure gauge ports for in-vehicle monitoring of your air system
- Single pressure inlet and exhaust minimizes fittings and plumbing required
- Compact size
- Mounting brackets and assembly kits available



Selecting a Catalog Number

| Color Sample | Color | Single - Controls Entire System | Dual - For Side to Side or Front to Rear Control | Quad - For Side to Side or Front to Rear Control |
|--------------|----------|---------------------------------|--|--|
| | Gold | HV283597-001 | HV283597-201 | HV283597-401 |
| | Silver | HV283597-002 | HV283597-202 | HV283597-402 |
| | Red | HV283597-004 | HV283597-204 | HV283597-404 |
| | Aluminum | HV283597-009 | HV283597-209 | HV283597-409 |

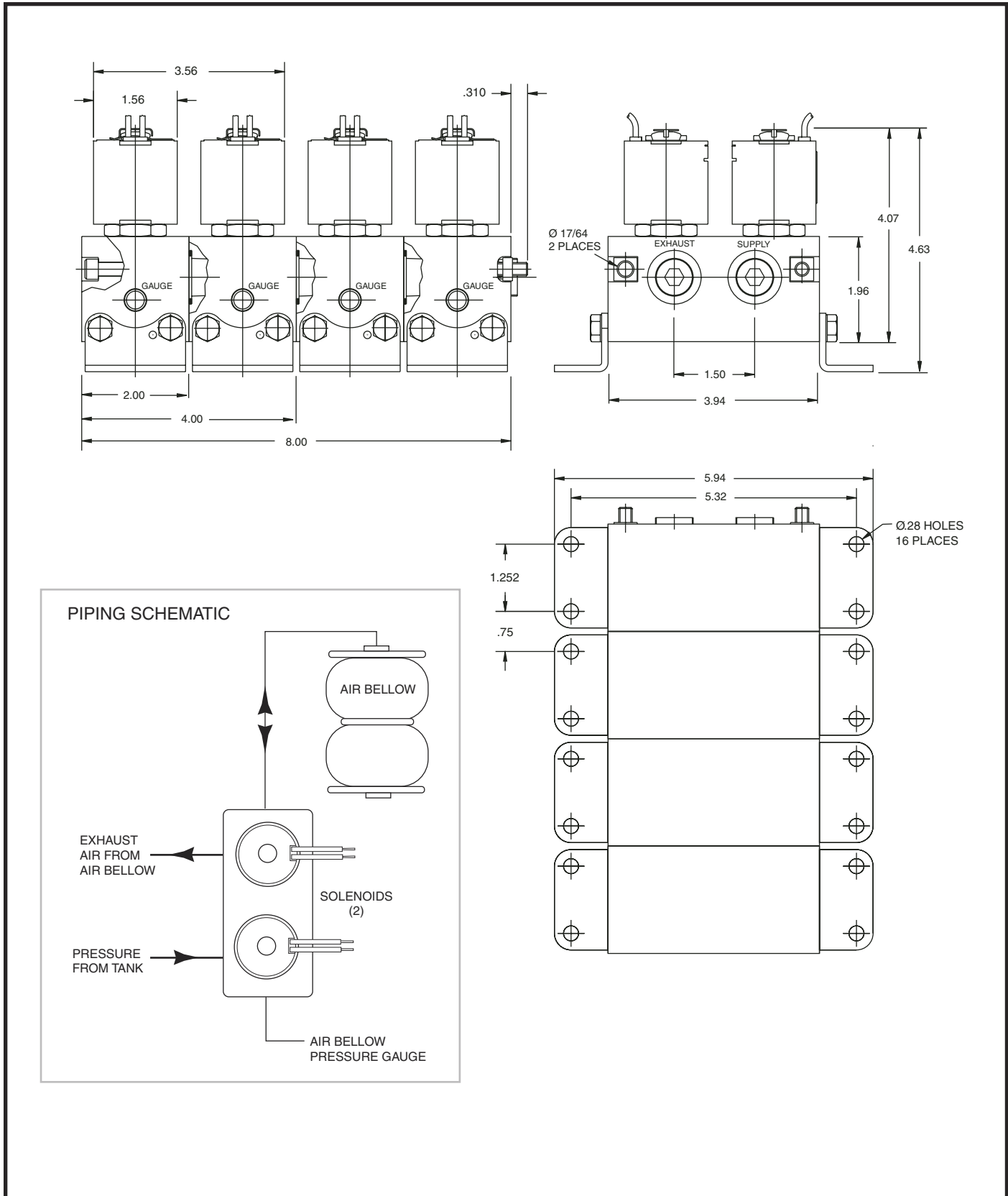
Kits

| | | | |
|-----------------------|--------|----------------------------|----------------------------|
| Mounting Bracket Kits | 323099 | 2x 323099 required | 2x 323099 required |
| Ganging Kits | ① ② | (assembly includes 323098) | (assembly includes 323140) |

① - 2 single valves can be attached with 323098 to create a Dual control manifold.

② - 4 single valves can be attached with 323140 to create a Quad control manifold.

Dimensions: inches



ASCO® PRESSURE SWITCHES

Brass Body • 1/8" to 1/4" NPT

DESCRIPTION

The ASCO Adjustable Range Pressure Switch line is designed for installation where input pressure parameters are adjusted for personalized control.

The ASCO Fixed Range Pressure Switch line is designed for systems with consistent input pressures.

When mounted directly to your air tank, or in-line between the compressor and tank, the switches ensure reliable control of your ride height.

BENEFITS

Adjustable Range

- Adjustable settings for personalized system control
- Hand adjustment eliminates the need for tools
- Long life diaphragm ensures set point repeatability despite environmental temperature variations
- Vibration resistant

Fixed Range

- Compact size
- Factory preset eliminates the need for calibration
- Sealed against dust, oils, or water for improved life
- Vibration resistant



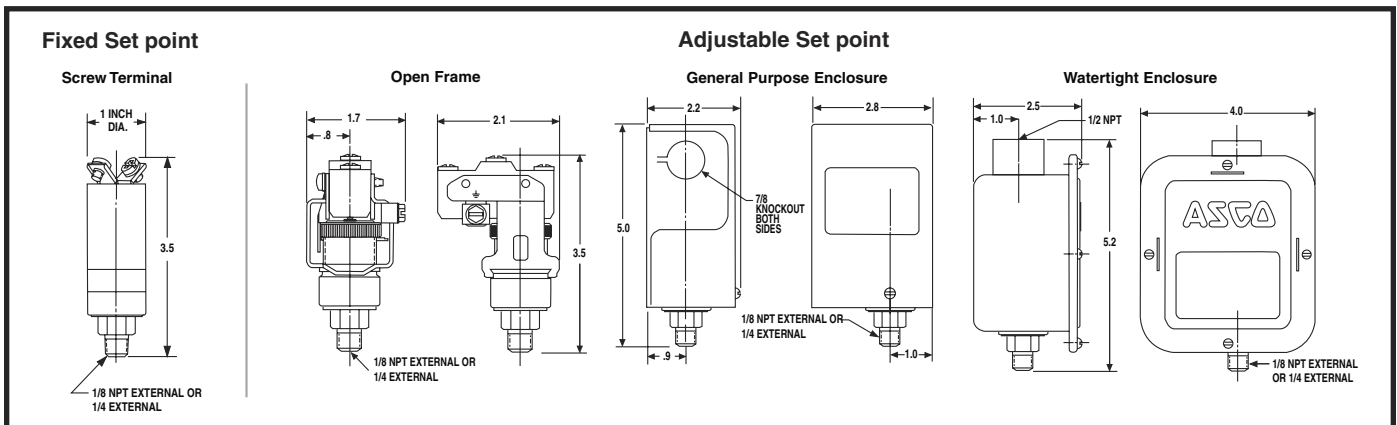
Adjustable Range Specifications

| Catalog Number | Male Pipe Size (ins) | Operation | Diaphragm | Terminals | Adjustable Operating Range (psi) |
|------------------------|----------------------|-----------------------|-----------|-----------|----------------------------------|
| Open Frame | | | | | |
| HC16A218L | 1/8 | SPDT (Form C Contact) | NBR | Screw | 80-200 |
| HC16A214L | 1/4 | SPDT (Form C Contact) | NBR | Screw | 80-200 |
| General Purpose | | | | | |
| HC10A218 | 1/8 | SPDT (Form C Contact) | NBR | Screw | 80-200 |
| HC10A214 | 1/4 | SPDT (Form C Contact) | NBR | Screw | 80-200 |
| Watertight | | | | | |
| HC11A218 | 1/8 | SPDT (Form C Contact) | NBR | Screw | 80-200 |
| HC11A214 | 1/4 | SPDT (Form C Contact) | NBR | Screw | 80-200 |

Fixed Range Specifications

| Catalog Number | Male Pipe Size (ins.) | Operation | Diaphragm | Terminals | Set Point | |
|----------------|-----------------------|-----------------|-----------|-----------|---------------------------|---------------------------|
| | | | | | Decreasing Pressure (psi) | Increasing Pressure (psi) |
| JC17A218B | 1/8 | Normally Closed | NBR | Screw | 138 | 162 |
| JC17A214B | 1/4 | Normally Closed | NBR | Screw | 138 | 162 |

Dimensions: inches



numatics® PARTICULATE FILTERS

Automatic Drain with Bowl Protection • 3/8" to 1/2" NPT

DESCRIPTION

Numatics Filters (water traps) are designed to provide your air ride suspension system with top quality air. By removing water and particulate, air suspension systems perform more reliably and efficiently, and have longer life.

BENEFITS

- Semi-automatic drain allows for simple removal of filtered water
- High flow rates maintain air ride suspension system speed
- Metal bowl guard protects the unit from inadvertent breakage

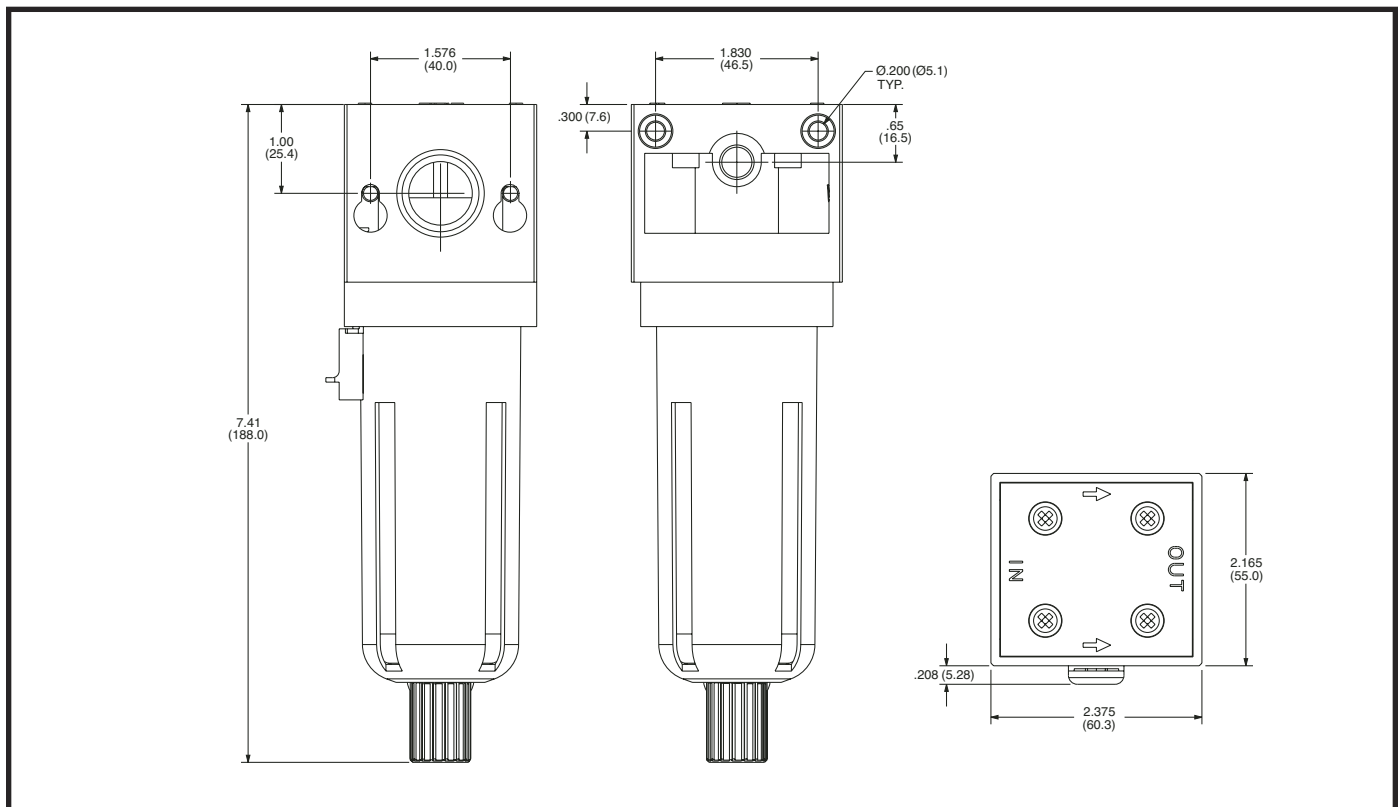


Specifications

| Series | Pipe Size (ins.) | Bowl Capacity (oz.) | | Max. Flow @ 90 psi and 1 psi Drop (scfm) | Max. Inlet Pressure (psi) @125°F | Filter Capacity (microns) | Ambient Temp. °F | | Automatic Drain with Bowl Protection |
|--|------------------|---------------------|--------|--|----------------------------------|---------------------------|------------------|------|--------------------------------------|
| | | Total | Useful | | | | Min. | Max. | |
| Filter - 5 Micron Polycarbonate (PC) Bowl | | | | | | | | | |
| F22 | 3/8 | 3.8 | 1.3 | 84.7 | 150 ① | 5 | 40 | 120 | F22B-03AM |
| F22 | 1/2 | 3.8 | 1.3 | 84.7 | 150 ① | 5 | 40 | 120 | F22B-04AM |

① 230 psi @ 75°F max. Ambient & Fluid Temperature.

Dimensions: inches



numatics® AIR BELLOWS

DESCRIPTION

Numatics Air Bellows provide load boosting performance for air ride suspension systems.

BENEFITS

- Vehicle leveling
- Pressure adjustable from 5-100 psi
- Enable complete load stabilization
- Maximizes vehicle load carrying capacity



Specifications

| Part Number | Port Size (ins) | Number of Plies | Plate Diameter | Const. Ref. | Inlet Dia. | Male Mounting Studs | Female Mounting Holes |
|----------------|-----------------|-----------------|----------------|-------------|------------|---------------------|-----------------------|
| ASND11-5-1-733 | 1/2 | 2 | 4.25" | 1 | 1/2 - 14 | 3/8 - 16 UNC | 3/8 - 16 UNC |
| ASND18-5-1-734 | 1/2 | 2 | 5.50" | 2 | 1/2 - 14 | 3/8 - 24 UNF | 3/8 - 16 UNC |
| ASND11-5-1-738 | 1/4 | 2 | 4.25" | 1 | 1/4 - 18 | 3/8 - 16 UNC | 3/8 - 16 UNC |
| ASND18-5-1-739 | 1/4 | 2 | 5.50" | 3 | 1/4 - 18 | 3/8 - 16 UNC | 3/8 - 16 UNC |
| ASND11-5-1-740 | 3/8 | 2 | 4.25" | 1 | 3/8 - 18 | 3/8 - 16 UNC | 3/8 - 16 UNC |
| ASND18-5-1-741 | 3/8 | 2 | 5.50" | 2 | 3/8 - 18 | 3/8 - 24 UNF | 3/8 - 16 UNC |
| ASND11-5-1-744 | 1/2 | 4 | 4.25" | 1 | 1/2 - 14 | 3/8 - 16 UNC | 3/8 - 16 UNC |
| ASND18-5-1-745 | 1/2 | 4 | 5.50" | 2 | 1/2 - 14 | 3/8 - 24 UNF | 3/8 - 16 UNC |

Dimensions: inches

Air Bellows Dimensions

| Const. Ref. | A | B | Min. Height (H1) | Extended Height at 20 psi (H2) |
|-------------|------|------|------------------|--------------------------------|
| 1 | 4.21 | 6.70 | 2.80 | 8.75 |
| 2 | 5.49 | 8.00 | 2.80 | 8.50 |
| 3 | 5.49 | 8.00 | 2.80 | 8.75 |

Mounting Plate Dimensions

| Part Number | C | D | E |
|----------------|------|------|------|
| ASND11-5-1-733 | 1.75 | 0.79 | - |
| ASND18-5-1-734 | 2.75 | 1.38 | 2.75 |
| ASND11-5-1-738 | 1.75 | 0.79 | - |
| ASND18-5-1-739 | 1.75 | 0.75 | - |
| ASND11-5-1-740 | 1.75 | 0.79 | - |
| ASND18-5-1-741 | 2.75 | 1.38 | 2.75 |
| ASND11-5-1-744 | 1.75 | 0.79 | - |
| ASND18-5-1-745 | 2.75 | 1.38 | 2.75 |

Mounting Plate Diagrams

-733, -738, -740, -744

-734, -741, -745

-739

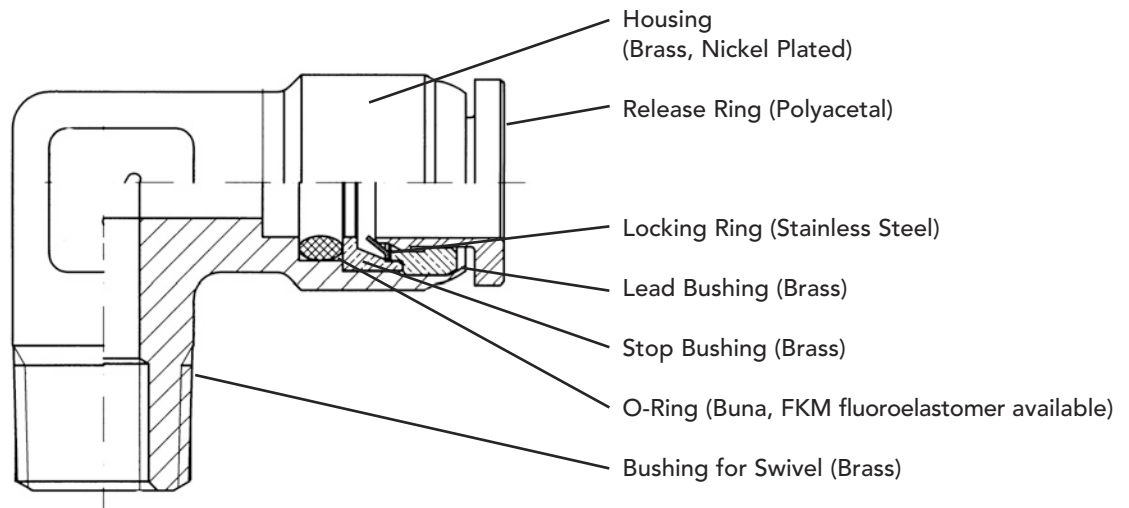
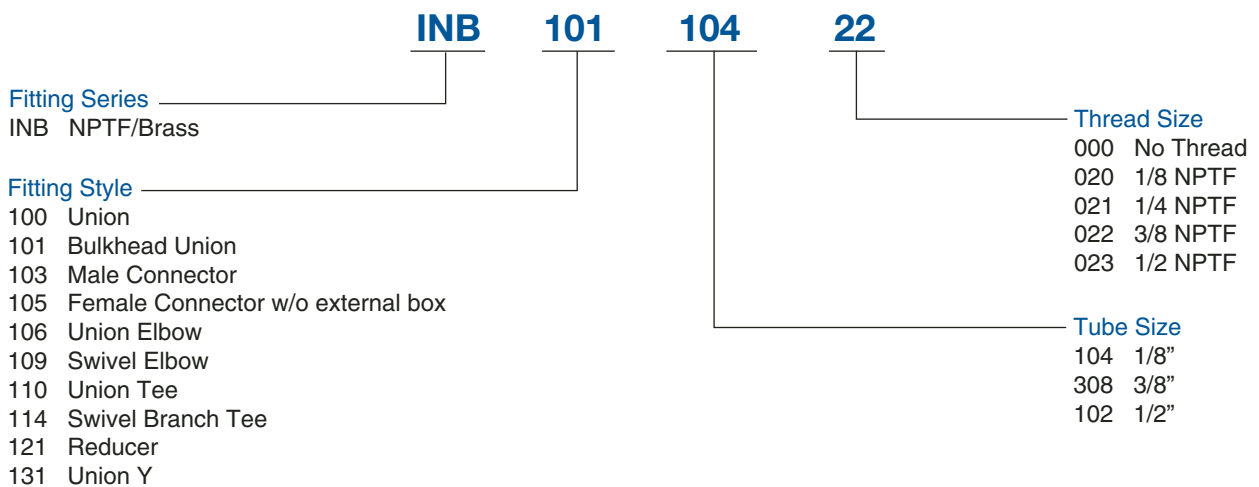
numatics® TUBE FITTINGS & ACCESSORIES

BENEFITS

- Pressure rating to 265 psi
- Temperature range: -20°F to 176°F
- Push-in fittings with NPTF threads
- PTFE thread sealant
- Tube diameter: 1/8" to 1/2"
- Thread size: 1/8" NPTF to 1/2" NPTF

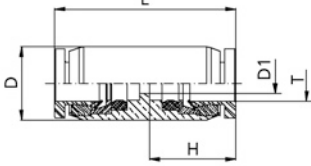


HOW TO ORDER



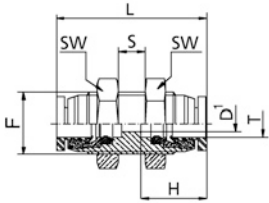
Dimensions: inches

IN100 Union



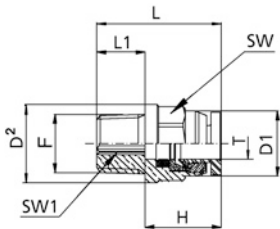
| Brass Release Ring | INB100 | Tube Diameter T | D | D1 | L | H |
|--------------------|-------------|-----------------|-------|-------|-------|-------|
| INB | 100-104-000 | 1/4 | 0.472 | 0.157 | 1.110 | 0.531 |
| INB | 100-308-000 | 3/8 | 0.709 | 0.276 | 1.398 | 0.669 |
| INB | 100-102-000 | 1/2 | 0.787 | 0.413 | 1.575 | 0.748 |

IN101 Bulkhead Union



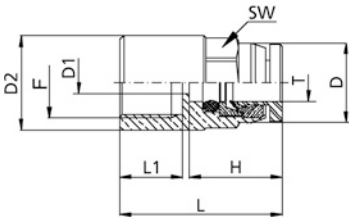
| Brass Release Ring | INB101 | Tube Diameter T | Thread F | D1 | L | H | SW | S MAX |
|--------------------|-------------|-----------------|----------|-------|-------|-------|-------|-------|
| INB | 101-104-000 | 1/4 | M12x1 | 0.157 | 1.244 | 0.531 | 0.630 | 0.315 |
| INB | 101-308-000 | 3/8 | M19x1 | 0.276 | 1.614 | 0.669 | 0.866 | 0.433 |
| INB | 101-102-000 | 1/2 | M22x1 | 0.413 | 1.850 | 0.748 | 1.024 | 0.591 |

IN103 Male Connector



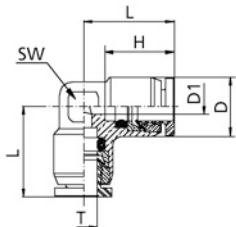
| Brass Release Ring | INB103 | Tube Diameter T | Thread F | D1 | D2 | L | L1 | H | SW | SW1 |
|--------------------|-------------|-----------------|----------|-------|-------|-------|-------|-------|-------|------|
| INB | 103-104-020 | 1/4 | 1/8 NPTF | 0.472 | 0.551 | 0.886 | 0.374 | 0.531 | 1/2 | 5/32 |
| INB | 103-104-021 | 1/4 | 1/4 NPTF | 0.472 | 0.551 | 1.024 | 0.512 | 0.531 | 1/2 | 5/32 |
| INB | 103-104-022 | 1/4 | 3/8 NPTF | 0.472 | 0.709 | 1.024 | 0.512 | 0.531 | 1/2 | 5/32 |
| INB | 103-308-020 | 3/8 | 1/8 NPTF | 0.669 | 0.787 | 1.114 | 0.374 | 0.669 | 11/16 | 7/32 |
| INB | 103-308-021 | 3/8 | 1/4 NPTF | 0.669 | 0.787 | 1.232 | 0.512 | 0.669 | 11/16 | 1/4 |
| INB | 103-308-022 | 3/8 | 3/8 NPTF | 0.669 | 0.787 | 1.232 | 0.512 | 0.669 | 11/16 | 1/4 |
| INB | 103-308-023 | 3/8 | 1/2 NPTF | 0.669 | 0.866 | 1.390 | 0.709 | 0.669 | 11/16 | 1/4 |
| INB | 103-102-021 | 1/2 | 1/4 NPTF | 0.827 | 0.906 | 1.339 | 0.512 | 0.748 | 13/16 | 1/4 |
| INB | 103-102-022 | 1/2 | 3/8 NPTF | 0.827 | 0.906 | 1.339 | 0.512 | 0.748 | 13/16 | 3/8 |
| INB | 103-102-023 | 1/2 | 1/2 NPTF | 0.827 | 0.906 | 1.496 | 0.709 | 0.748 | 13/16 | 3/8 |

IN105 Female Connector



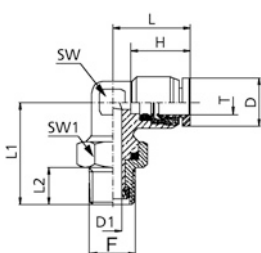
| Brass Release Ring | INB105 | Tube Diameter T | Thread F | D | D1 | D2 | L | L1 | H | SW |
|--------------------|-------------|-----------------|----------|-------|-------|-------|-------|-------|-------|-------|
| INB | 105-104-020 | 1/4 | 1/8 NPTF | 0.472 | 0.157 | 0.551 | 0.965 | 0.335 | 0.531 | 1/2 |
| INB | 105-104-021 | 1/4 | 1/4 NPTF | 0.472 | 0.157 | 0.669 | 1.142 | 0.472 | 0.531 | 1/2 |
| INB | 105-308-021 | 3/8 | 3/8 NPTF | 0.669 | 0.276 | 0.866 | 1.248 | 0.472 | 0.669 | 3/4 |
| INB | 105-308-022 | 3/8 | 3/8 NPTF | 0.669 | 0.276 | 0.866 | 1.366 | 0.495 | 0.669 | 11/16 |

IN106 Union Elbow



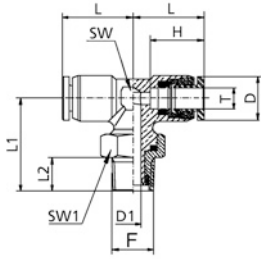
| Brass Release Ring | INB106 | Tube Diameter T | D | D1 | L | H | SW |
|--------------------|-------------|-----------------|-------|-------|-------|-------|-------|
| INB | 106-104-000 | 1/4 | 0.472 | 0.157 | 0.740 | 0.531 | 0.433 |
| INB | 106-308-000 | 3/8 | 0.709 | 0.295 | 1.004 | 0.669 | 0.630 |
| INB | 106-102-000 | 1/2 | 0.827 | 0.413 | 1.161 | 0.748 | 0.685 |

IN109 Swivel Elbow



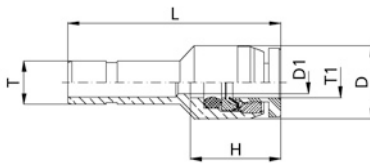
| Brass Release Ring | INB109 | Tube Diameter T | Thread F | D | D1 | L | L1 | L2 | H | SW | SW1 |
|--------------------|-------------|-----------------|----------|-------|-------|-------|-------|-------|-------|-------|-------|
| INB | 109-104-020 | 1/4 | 1/8 NPTF | 0.472 | 0.157 | 0.740 | 0.906 | 0.374 | 0.531 | 0.433 | 0.512 |
| INB | 109-104-021 | 1/4 | 1/4 NPTF | 0.472 | 0.236 | 0.740 | 1.031 | 0.512 | 0.531 | 0.433 | 0.591 |
| INB | 109-104-022 | 1/4 | 3/8 NPTF | 0.472 | 0.236 | 0.740 | 1.071 | 0.512 | 0.531 | 0.433 | 0.709 |
| INB | 109-308-020 | 3/8 | 1/8 NPTF | 0.669 | 0.157 | 1.043 | 1.043 | 0.374 | 0.669 | 0.630 | 0.512 |
| INB | 109-308-021 | 3/8 | 1/4 NPTF | 0.669 | 0.236 | 1.043 | 1.181 | 0.512 | 0.669 | 0.630 | 0.591 |
| INB | 109-308-022 | 3/8 | 3/8 NPTF | 0.669 | 0.315 | 1.043 | 1.220 | 0.512 | 0.669 | 0.630 | 0.709 |
| INB | 109-308-023 | 3/8 | 1/2 NPTF | 0.669 | 0.315 | 1.043 | 1.358 | 0.709 | 0.669 | 0.630 | 0.866 |
| INB | 109-102-021 | 1/2 | 1/4 NPTF | 0.827 | 0.236 | 1.181 | 1.299 | 0.512 | 0.748 | 0.685 | 0.591 |
| INB | 109-102-022 | 1/2 | 3/8 NPTF | 0.827 | 0.315 | 1.181 | 1.299 | 0.512 | 0.748 | 0.685 | 0.709 |
| INB | 109-102-023 | 1/2 | 1/2 NPTF | 0.827 | 0.315 | 1.181 | 1.476 | 0.709 | 0.748 | 0.685 | 0.866 |

IN114 Swivel Branch Tee



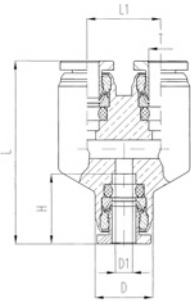
| Brass Release Ring | INB114 | Tube Diameter | T | Thread F | D | D1 | L | L1 | L2 | H | SW | SW1 |
|--------------------|-------------|---------------|----------|----------|-------|-------|-------|-------|-------|-------|-------|-----|
| INB | 114-104-020 | 1/4 | 1/8 NPTF | 0.472 | 0.157 | 0.740 | 0.906 | 0.374 | 0.531 | 0.433 | 0.512 | |
| INB | 114-104-021 | 1/4 | 1/4 NPTF | 0.472 | 0.236 | 0.740 | 1.142 | 0.512 | 0.531 | 0.433 | 0.591 | |
| INB | 114-104-022 | 1/4 | 3/8 NPTF | 0.472 | 0.236 | 0.740 | 1.181 | 0.512 | 0.531 | 0.433 | 0.709 | |
| INB | 114-308-020 | 3/8 | 1/8 NPTF | 0.709 | 0.157 | 1.043 | 1.043 | 0.374 | 0.669 | 0.630 | 0.709 | |
| INB | 114-308-021 | 3/8 | 1/4 NPTF | 0.709 | 0.236 | 1.043 | 1.181 | 0.512 | 0.669 | 0.630 | 0.591 | |
| INB | 114-308-022 | 3/8 | 3/8 NPTF | 0.709 | 0.315 | 1.043 | 1.220 | 0.512 | 0.669 | 0.630 | 0.709 | |
| INB | 114-308-023 | 3/8 | 1/2 NPTF | 0.709 | 0.315 | 1.043 | 1.358 | 0.709 | 0.669 | 0.630 | 0.866 | |
| INB | 114-102-021 | 1/2 | 1/4 NPTF | 0.827 | 0.236 | 1.181 | 1.299 | 0.512 | 0.748 | 0.685 | 0.591 | |
| INB | 114-102-022 | 1/2 | 3/8 NPTF | 0.827 | 0.315 | 1.181 | 1.299 | 0.512 | 0.748 | 0.685 | 0.709 | |
| INB | 114-102-023 | 1/2 | 1/2 NPTF | 0.827 | 0.315 | 1.181 | 1.476 | 0.709 | 0.748 | 0.685 | 0.866 | |

IN121 Reducer



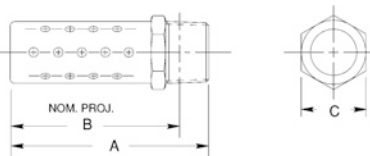
| INB121 | T | T1 | D | D1 | L | H |
|----------------|-----|-----|-------|-------|-------|-------|
| INB121-308-104 | 3/8 | 1/4 | 0.472 | 0.157 | 1.339 | 0.531 |
| INB121-102-104 | 1/2 | 1/4 | 0.472 | 0.157 | 1.417 | 0.531 |
| INB121-102-308 | 1/2 | 3/8 | 0.669 | 0.295 | 1.673 | 0.669 |

IN131 Reducer



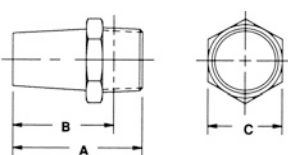
| Brass Release Ring | INB131 | Tube Diameter | T | L | H | L1 | D | D1 |
|--------------------|-------------|---------------|-------|-------|-------|-------|-------|----|
| INB | 131-104-000 | 1/4 | 1.398 | 0.531 | 0.598 | 0.472 | 0.157 | |

M Series Metal Air Silencer



| Model | NPTF | A | B | C | Cv |
|-------|------|------|------|------|------|
| M3MN | 3/8 | 2.25 | 2.00 | 0.69 | 5.08 |
| M4MN | 1/2 | 2.72 | 2.41 | 0.88 | 7.32 |

P Series Porous Bronze Air Silencer



| Model | NPTF | A | B | C | Cv |
|-------|------|------|------|------|------|
| P3MN | 3/8 | 1.45 | 1.20 | 0.69 | 2.30 |
| P4MN | 1/2 | 1.89 | 1.58 | 0.88 | 5.66 |

ASCO Numatics offers a wide range of valves and components for onboard air systems and other automotive related applications.

ASCO Numatics valves and control components are used on some of the following vehicles:

- Trains and buses – brakes, suspensions, and door controls
- Heavy duty trucks – turbocharger, suspension, transmission, and coolant control systems
- Street cleaning equipment – water and cleaner control valves
- Heavy construction equipment – control valves for transmissions
- Racing vehicles – fuel shutoff valves
- Fuel cell powered vehicles

ASCO Numatics valves and components are also used in these related industries:

- Tire manufacturing facilities
- Auto painting facilities
- Automotive assembly robots
- Car wash water and cleaner control systems
- Fueling stations – in the pumps and for vapor recovery

Global Contacts

www.asconumatics.com

ASCO

| <u>Location</u> | <u>Phone</u> |
|-----------------------------|-------------------------|
| World Headquarters (U.S.A.) | (1) 800-972-ASCO (2726) |
| Brazil | (55) 11-4208-1700 |
| Canada | (1) 519-758-2700 |
| Mexico | (52) 55-5809-5640 |

E-mail: info-valve@asco.com

NUMATICS

| <u>Location</u> | <u>Phone</u> |
|-----------------------------|-----------------------------|
| World Headquarters (U.S.A.) | (1) 888-Numatics (686-2842) |
| Brazil | (55) 11-4208-1700 |
| Canada | (1) 519-758-2700 |
| Mexico | (52) 55-5809-5640 |

E-mail: InsideSales@numatics.com

Other Worldwide Locations

| <u>Location</u> | <u>Phone</u> |
|-----------------|--------------------|
| Australia | (61) 2-9-451-7077 |
| China | (86) 21-3395-0000 |
| Czech Republic | (420) 235-090-061 |
| France | (33) 1-47-14-32-00 |
| Germany | (49) 7237-9960 |
| Italy | (39) 02-356931 |
| Japan | (81) 798-65-6361 |
| Netherlands | (31) 33-277-7911 |
| Singapore | (65) 6556-1100 |
| Spain | (34) 942-87-6100 |
| United Kingdom | (44) 1695-713600 |

